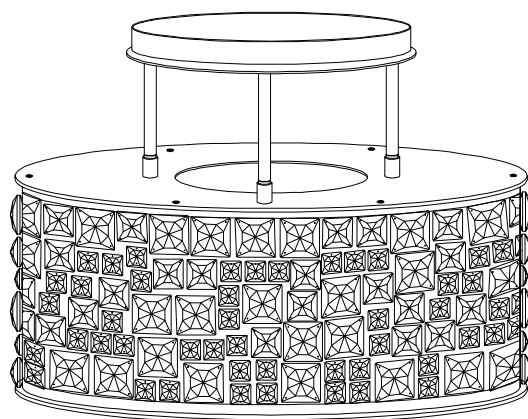




PRODUCT NAME: Fifth Avenue, 6lt flushmount  
ITEM NUMBER: 39791LBFC

Please consult your electrician for hanging fixture and wiring.

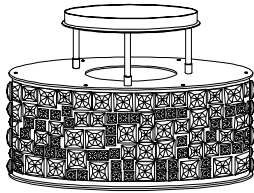


Bulb(included): 6\*40W G9 Bulbs

PRODUCTS ARE NOT INTENDED  
FOR COMMERCIAL USE.

MADE IN CHINA  
Page 1 of (2)

**IMPORTANT: Turn off the power at the main fuse or circuit breaker box before starting installation**

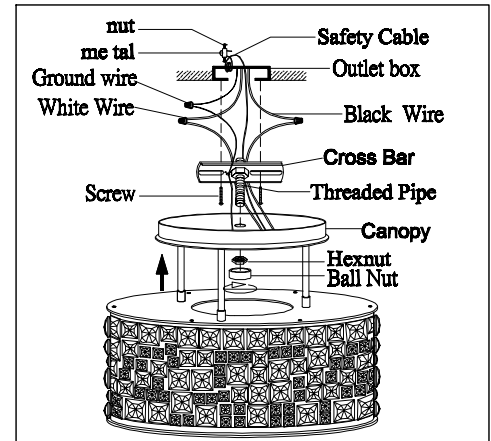
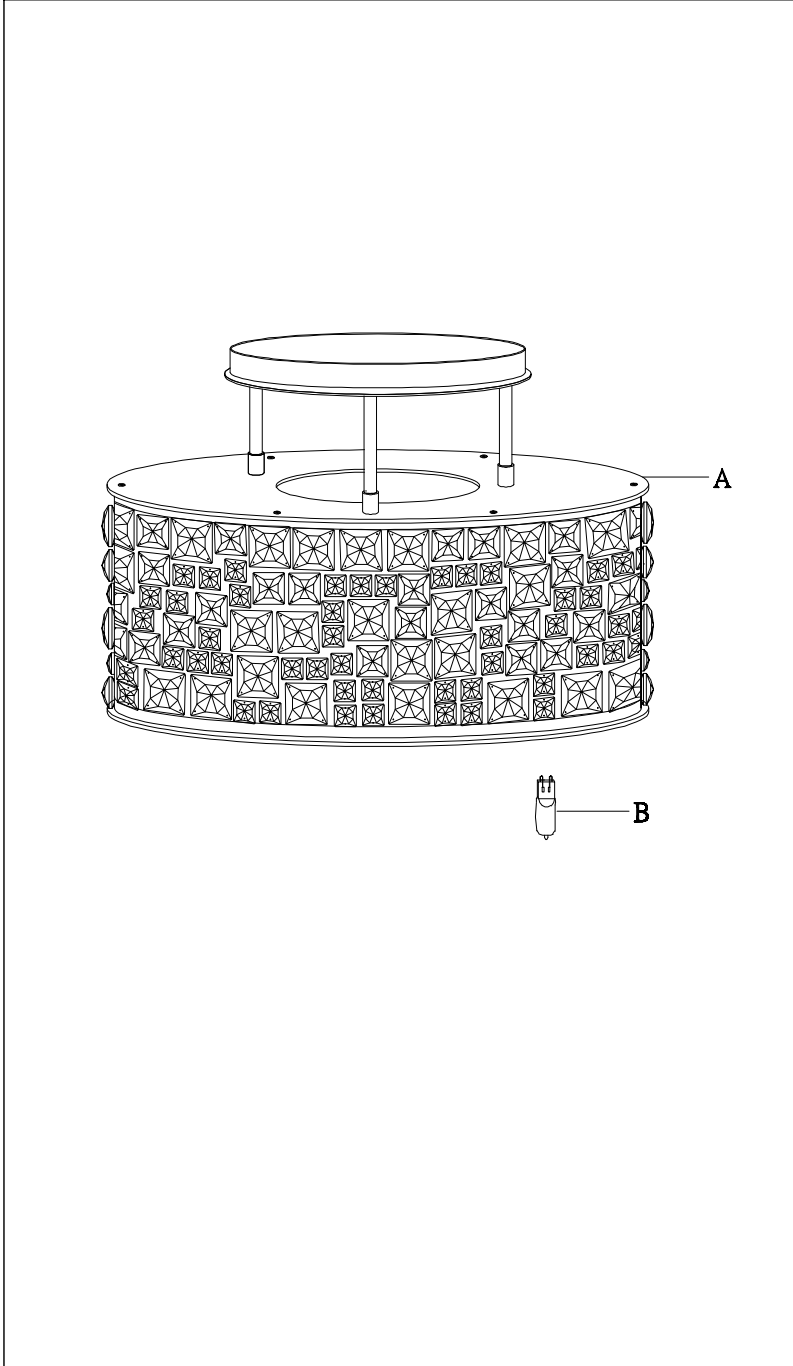


A



B

**Locate all hardware & components before discarding packaging**

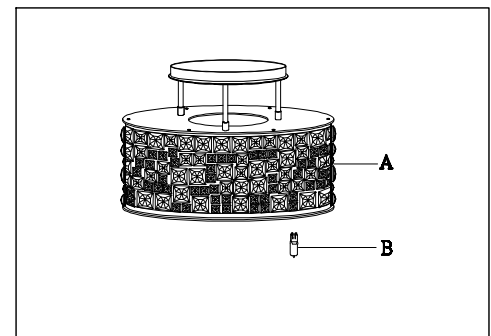


1.)

**Step.1:**

**1. Remove mounting bracket from fixture and install to electrical box. Wire fixture to wires in outlet box. Copper wire is for Ground.**

2.)



**Step.2: 1. Install 6 G9 bulbs  
2. Install fixture (A) to bracket and tighten screws at the ends of the canopy to secure.**

**Cleaning & Care:**

Clean with soft cloth and a mild detergent.  
Do not use abrasive cleaner.