

## IMPORTANT SAFETY INSTRUCTIONS

- Be sure the electricity to the system you are working on is turned off; either the fuse removed or the circuit breaker set off.
- Use of other manufacturers components will void warranty, listing and create a potential safety hazard.
- If you are unclear as to how to proceed, contact a qualified electrician.
- You don't need special tools to install this fixture.
- Be sure to follow the steps in the order given.
- Read instructions carefully.
- Proper wiring is essential to the safe operation of this fixture.
- Save these instructions.

## CLEANING

To clean, wipe fixture with a soft cloth. Clean glass with a mild soap. Do not use abrasive materials such as scouring pads or powders, steel wool or abrasive paper.

**\*NOTE:** For Solid Copper Fixtures. Use a good quality automotive wax at least twice a year to protect your fixture. If this additional care is not taken, your fixture will turn into a Patina Finish over time.

## ORDERING PARTS

Keep this sheet for future reference, and in case you need to order replacement parts. Parts for this fixture can be ordered from place of purchase. Be sure to use exact wording from illustration when ordering parts.

## BEFORE YOU BEGIN

Carefully remove the fixture from the carton and check that all parts are included, as shown in Figure 1. Be careful not to misplace any of the screws or parts which are needed to install this fixture.

## FOR STEM MOUNT

### STEP 1:

Secure rods together (if applicable).

### STEP 2:

Feed the fixture wire from the socket assembly (U), through: the rod assembly (E), and coupling (J) (mounted on canopy (G)).

### STEP 3:

Secure rod assembly (E) to coupling (J), and socket assembly (U). Be sure not to damage the fixture wire.

## ASSEMBLY FOR CHAIN HUNG

### STEP 1:

Thread nipple (M) through canopy loop (S). Install canopy loop (S) through canopy (G), secure with lockwasher (H) and nut (W) (if applicable).

### STEP 2:

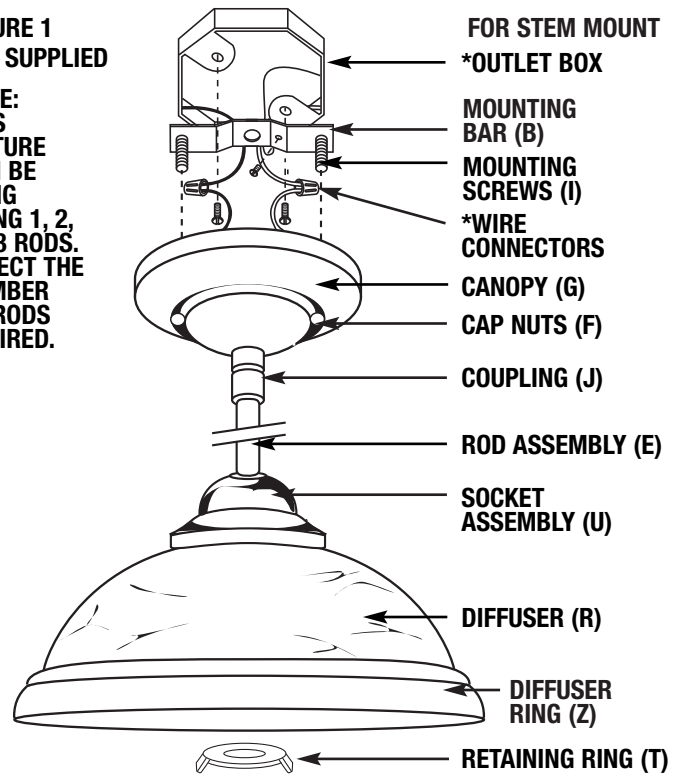
Install fixture loop (X) onto socket assembly (U).

### STEP 3:

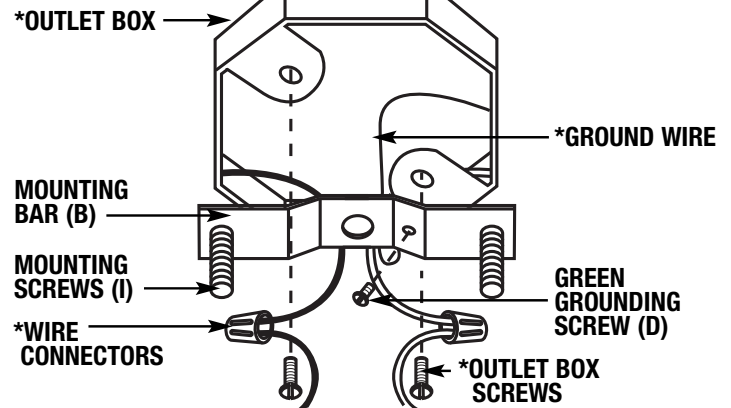
Feed the fixture wire from the socket assembly (U), through the fixture loop (X), and canopy loop (S) (mounted on canopy (G)).

**FIGURE 1**  
**\*NOT SUPPLIED**

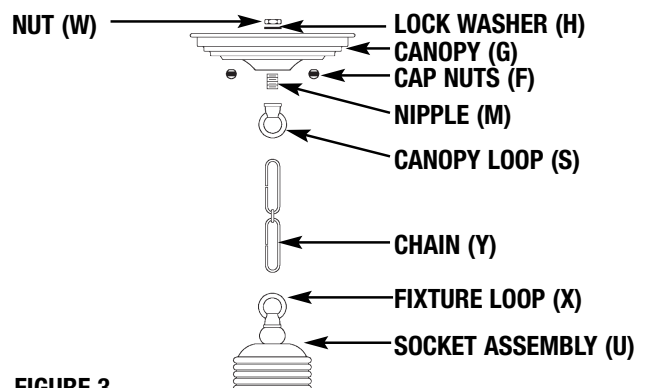
**NOTE:**  
**THIS**  
**FIXTURE**  
**CAN BE**  
**HUNG**  
**USING 1, 2,**  
**OR 3 RODS.**  
**SELECT THE**  
**NUMBER**  
**OF RODS**  
**DESIRED.**



## GROUNDING AND MOUNTING BAR LOCK UP



**FIGURE 2**



**FIGURE 3**

## ASSEMBLY FOR CHAIN HUNG

### STEP 1:

Thread nipple (M) through canopy loop (S). Install canopy loop (S) through canopy (G), secure with lockwasher (H) and nut (W) (if applicable).

### STEP 2:

Install fixture loop (X) onto socket assembly (U).

### STEP 3:

Feed the fixture wire from the socket assembly (U), through the fixture loop (X), and canopy loop (S) (mounted on canopy (G)).

## INSTALLATION

HC-387

**IMPORTANT: DO NOT ATTACH FIXTURE DIRECTLY TO OUTLET BOX.**

## MOUNTING BAR INSTALLATION

### STEP 1:

Insert fixture mounting screws (I) in threaded holes of mounting bar (B). Run fixture mounting screws (I) all the way down to the heads.

### STEP 2:

Fasten mounting bar (B), to outlet box with outlet box screws (not supplied). If installing with chain thread nipple (M) to center of mounting bar (B) so five threads are past mounting bar (B). Secure by threading nut (W) with lock washer (H) to mounting bar (B).

## FOR CHAIN HUNG ONLY

### STEP 1:

Using 2 pair of pliers, open one link of chain (Y) and connect it to the fixture loop (X) at the top of the fixture.

**BE SURE TO CLOSE ALL CHAIN LINKS COMPLETELY.**

### STEP 2:

Lace fixture wire up through entire chain (Y) and pass through canopy loop (S). We recommend lacing wire up through every other link of chain (Y).

## WIRING

### STEP 1:

- Use a listed wire connector to connect the fixture hot wire (black wire, or round and smooth tracer) to the supply hot wire.
- Use a listed wire connector to connect the fixture common wire (white wire, or square and rigid) to the supply common wire.
- Gently try to remove the wires from the connector. If you can remove the wires, carefully re-do the wiring connection.

### STEP 2:

#### GROUNDING INSTRUCTIONS:

Connect the supply ground wire, fixture ground wire, and mounting bar ground wire (pre attached) using the supplied wiring connector. Gently try to remove the wires from the connector. If you can remove the wires, carefully re-do the wiring connection.

## FINAL ASSEMBLY

**Make sure no bare wires can be seen outside wire connectors.**

## FOR STEM MOUNT AND CHAIN HUNG

### STEP 1:

After wires are connected, tuck them carefully inside outlet box and then raise the canopy (G) against ceiling allowing for mounting screws (I) to protrude through holes in canopy (G). Secure in place with cap nuts (F).

### STEP 2:

Place diffuser ring (Z) over diffuser (R) (if applicable). Raise diffuser (R) to socket assembly (U). Secure with retaining ring (T).

### STEP 3:

Install lamp.