

# INSTALLATION INSTRUCTIONS FOR P1773-044B-L

## For LED Wall

READ AND SAVE THESE INSTRUCTIONS

**WARNING! SHUT POWER OFF AT FUSE OR CIRCUIT BREAKER**  
**AVERTISSEMENT! COUPER LE COURANT AU NIVEAU DES FUSIBLES OU DO DISJONCTEU**

### ASSEMBLING THE FIXTURE (Fig.1)

- 1 Shut off power at the fuse box or circuit breaker.  
Remove the old fixture including the mounting hardware.
- 2 Carefully remove the fixture from the carton and check that all parts are included as show in Figure 1.  
Unscrew ( G ) to remove the mounting plate ( A ) from the canopy ( F ).
- 3 Attach the mounting plate ( A ) to the junction box using the mounting screws ( B ,size 8#-32N 1/2"). The side of the mounting plate marked "GND" must face out as shown in Fig. 1.

### CONNECTING THE WIRES (Fig. 2)

- 4 Pass the black/white and bare copper wires from the hole of the mounting plate ( A ). Connect the electrical wire as shown in figure 2, making sure that all wire connectors are secured. If your junction box has a ground wire (green or bare copper), connect the ground wire from the fixture to it. Otherwise connect fixture ground wire ( C ) directly to the mounting plate using the green screw ( D ) provided. Tuck the wire connections neatly into the wall junction box as you hold the canopy towards the wall.

### FINISHING THE INSTALLATION (Fig.1)

- 5 Fix the canopy ( F ) into the mounting plate ( A ) with screw ( G ).

Your installation is now complete. Return power to the junction box and test the fixture.

**CAUTION/ATTENTION:** When handling the fixture, do not apply pressure to the LEDs. Hold the fixture by the frame only.

**IMPORTANT:** Fixture should be installed by a qualified electrician to ensure proper wiring and installation. Dimmable with ELV and/or LED compatible wall dimmer switches.

Fig.1

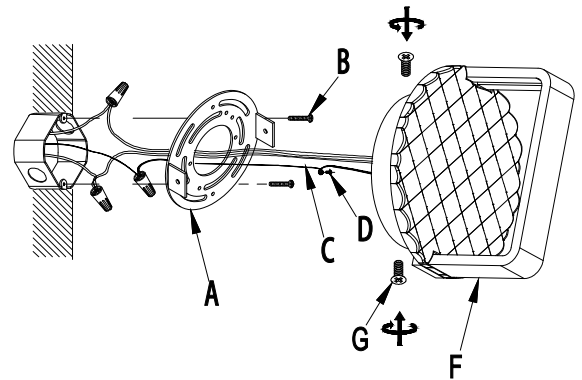
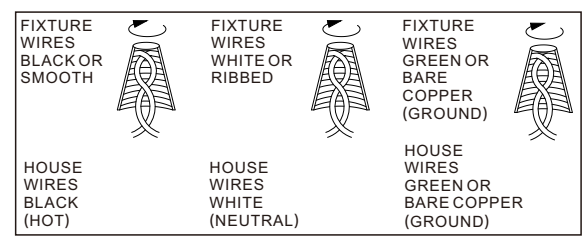


Fig.2



# INSTALLATION INSTRUCTIONS FOR P1773-044B-L

For LED Wall

READ AND SAVE THESE INSTRUCTIONS

**WARNING! SHUT POWER OFF AT FUSE OR CIRCUIT BREAKER**  
**AVERTISSEMENT! COUPER LE COURANT AU NIVEAU DES FUSIBLES OU DO DISJONCTEU**

## LED module replace(Fig.3)

### Shut off power before replacing

- 1:There have one LED module in the lamp arm (I)with this fixture ,if it do not work ,replace the complete lamp arm (I) with module together .Make sure the power if off before you replace
- 2:Twist-off the screw (G) and disconnect the wires and save the wire nuts , take the fixture down from the wall carefully;
- 3:Twist-off the screw (J) with screw driver ,separate the lamp body ;Save these parts for subsequent service.
- 5:Pull-out the wire from the hole of the face plate (K), replace a new lamp arm(I);
- 6:Repeat 5-1 to assembly the fixture

Your replace is now complete , return power to the junction box and text the fixture

Fig.3

