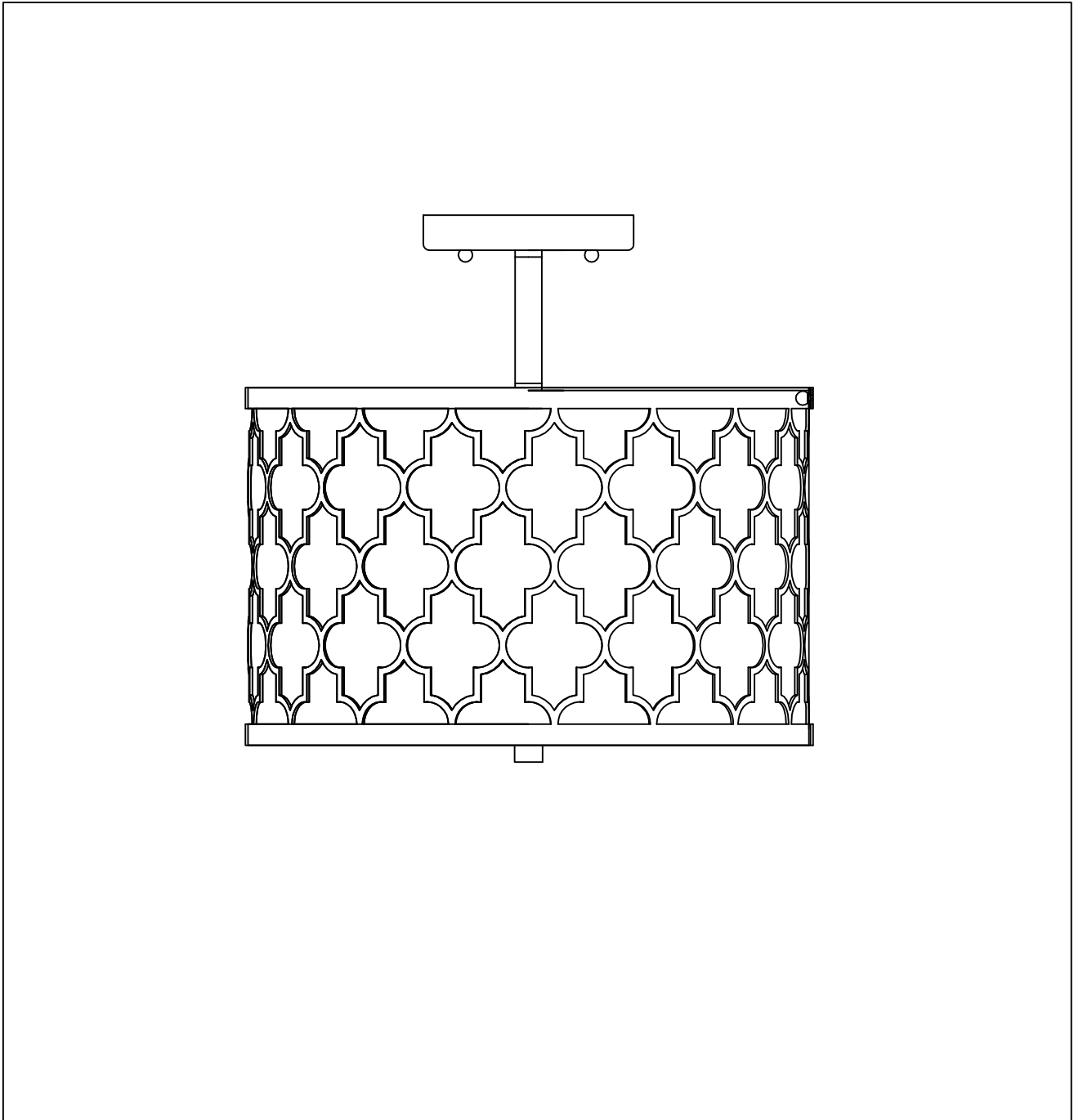




PRODUCT NAME: Crest 3LT Semi flush Mount & Pendant
NUMBER: 20291

Please consult your electrician for Hang fixture and wiring.



Bulb (Not included) : 3*MB 60W

IMPORTANT: Turn off power at the main fuse or circuit breaker box before starting installation



(A) Bracket



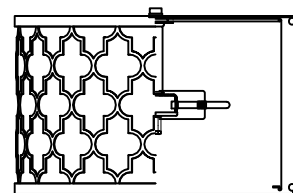
(B) Canopy



(C) Ball nut



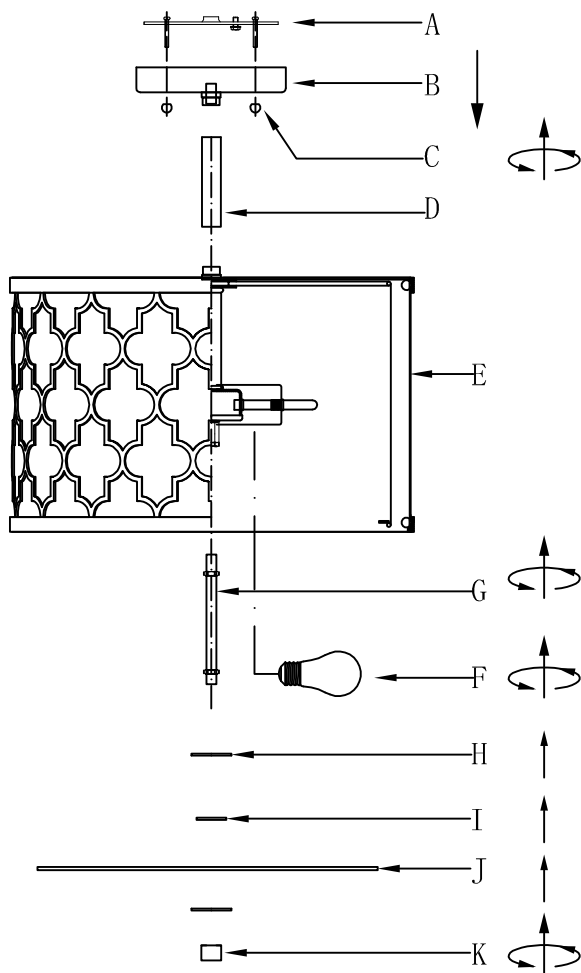
(D) Stems



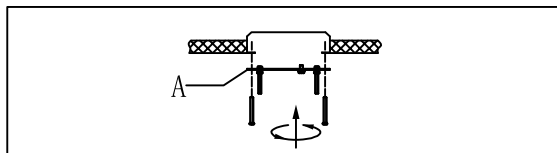
(E) Body

Locate all hardware & components before discarding packaging

Install For Semi Flush Mount

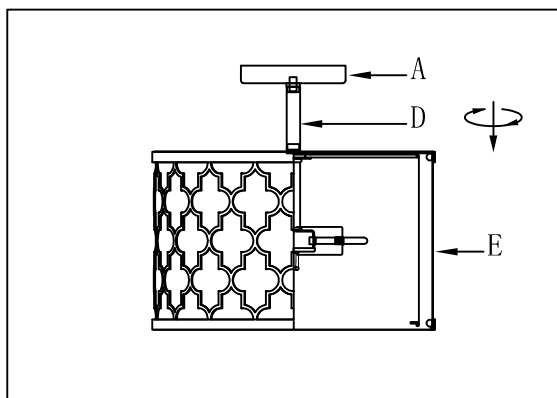


1.)



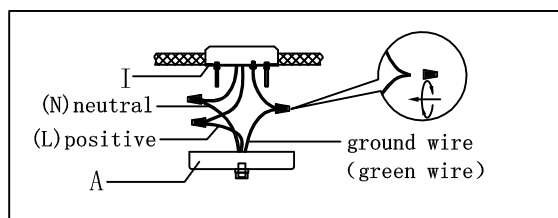
Step. 1: Remove mounting bracket (A) from fixture and install to electrical box.

2.)



Step. 2: Run wire through stem, then screw down the stem (D) and canopy (A) onto the top of fixture.

3.)

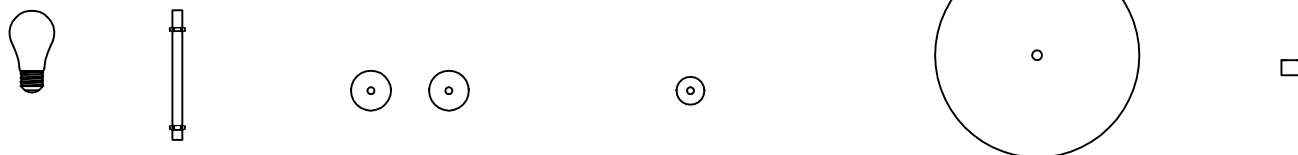


Step. 3: Wire fixture to wires in outlet box. Copper/Green wire is for Ground.

Cleaning & Care:

Clean with soft cloth and a mild detergent.
Do not use abrasive cleaner.

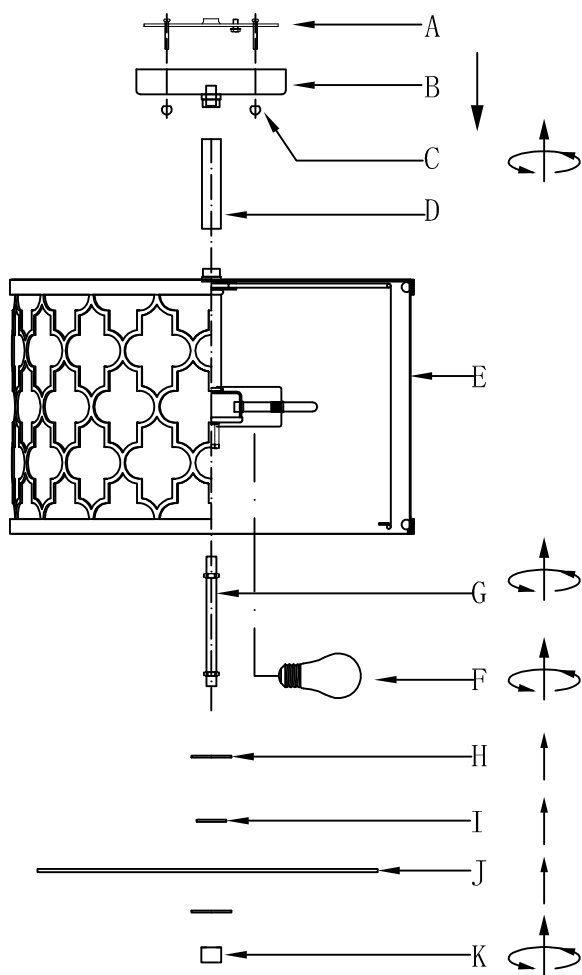
IMPORTANT: Turn off power at the main fuse or circuit breaker box before starting installation



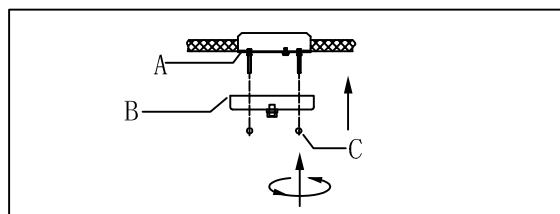
(F)bulb (G)Stems (H)Steel washer (I)Plastic washer (J)Glass diffuser (K)Ball nut

Locate all hardware & components before discarding packaging

Install For Semi Flush Mount

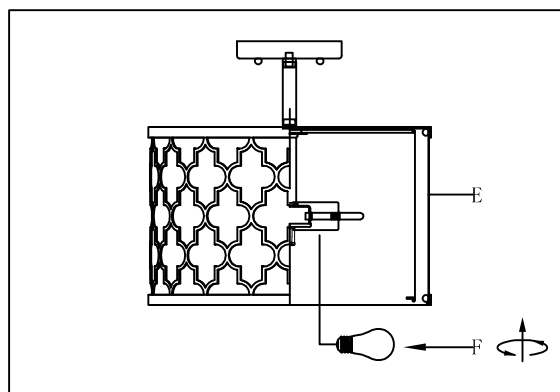


4.)



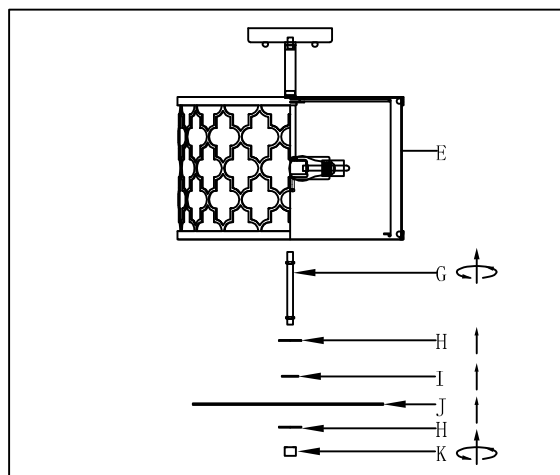
Step. 4: Install fixture to bracket and tighten ball nuts (C) on the canopy to secure.

5.)



Step. 5: Install the bulb.

6.)



Step. 6: Attach threaded stem (G) to cluster. Add steel washer (H) then plastic washer (I) before attaching glass diffuser (J). Use steel washer (H) and threaded finial (K) to secure.

Cleaning & Care:

Clean with soft cloth and a mild detergent.
Do not use abrasive cleaner.

IMPORTANT: Turn off power at the main fuse or circuit breaker box before starting installation



(L) Chain



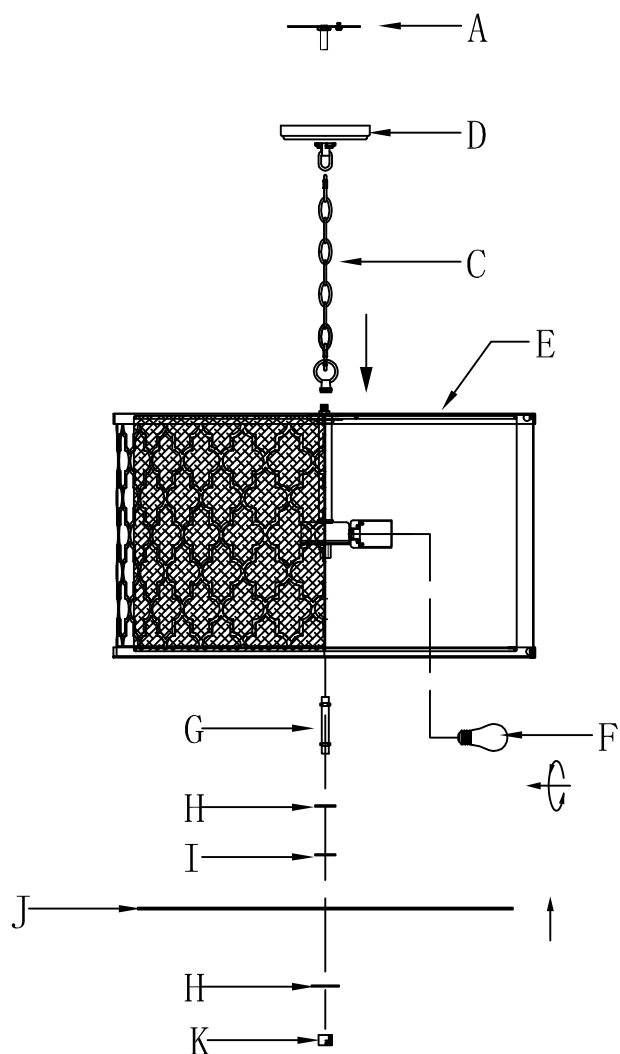
(M) Canopy-Pendant



(N) Ring

Locate all hardware & components before discarding packaging

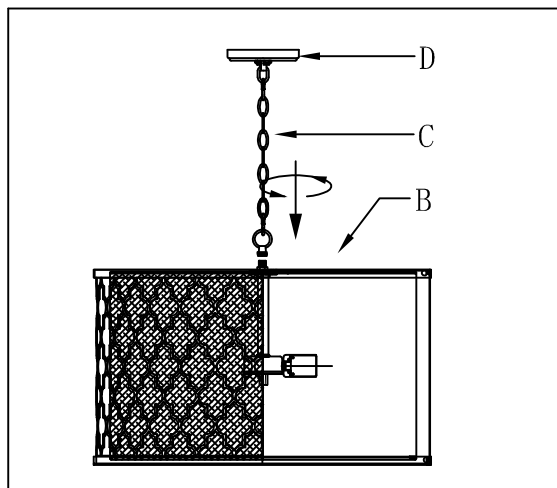
Install For Pendant



Cleaning & Care:

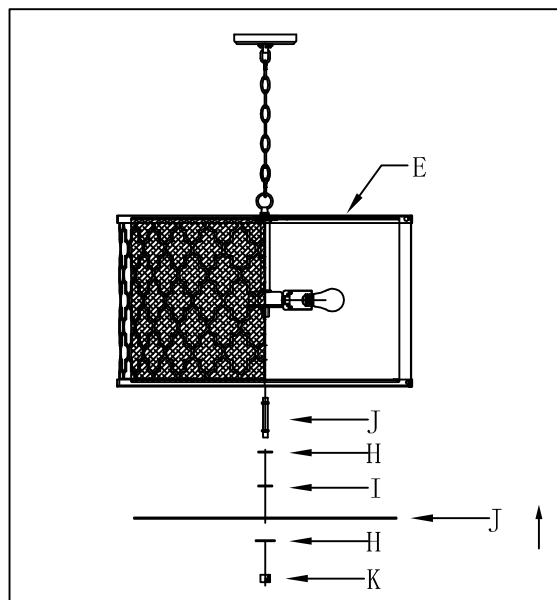
Clean with soft cloth and a mild detergent.
Do not use abrasive cleaner.

4.)



Step.4: Install top loop A to center stem and attach appropriate amount of chain to loop to achieve desired mounting height. Thread wire through every 3rd loop of chain.

5.)



Step.5: Attach threaded stem (G) to cluster. Add steel washer (H) then plastic washer (I) before attaching glass diffuser (J). Use steel washer (H) and threaded finial (K) to secure.