



PRODUCT NAME: LOTUS

ITEM NUMBER: 26310ICBRB

Please consult your electrician for hanging fixture and wiring.

GLS26310IC-A

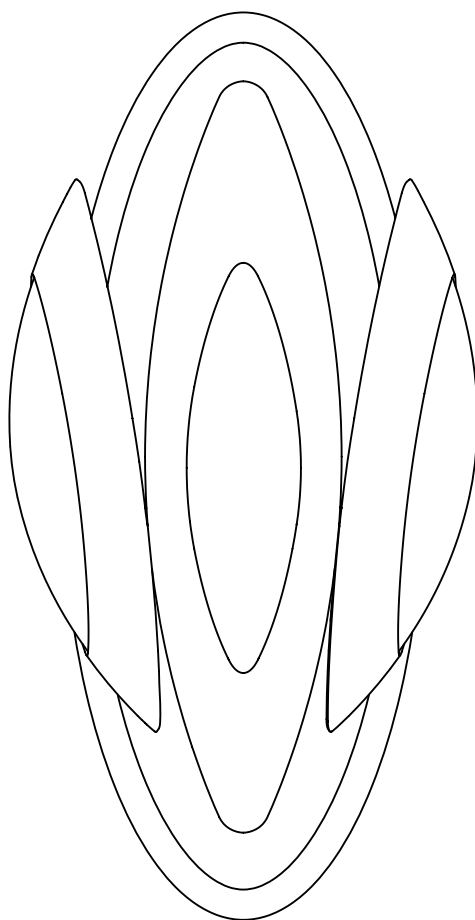
GLS26310IC-B



2pcs

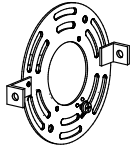


1pcs

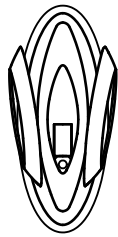


G9 1X40W (Bulb included)

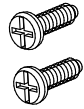
**IMPORTANT: Turn off the power at the main fuse or circuit breaker box before starting installation.**



Mounting Strap (A)

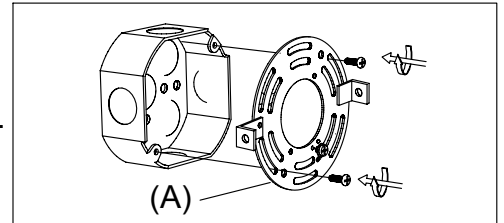
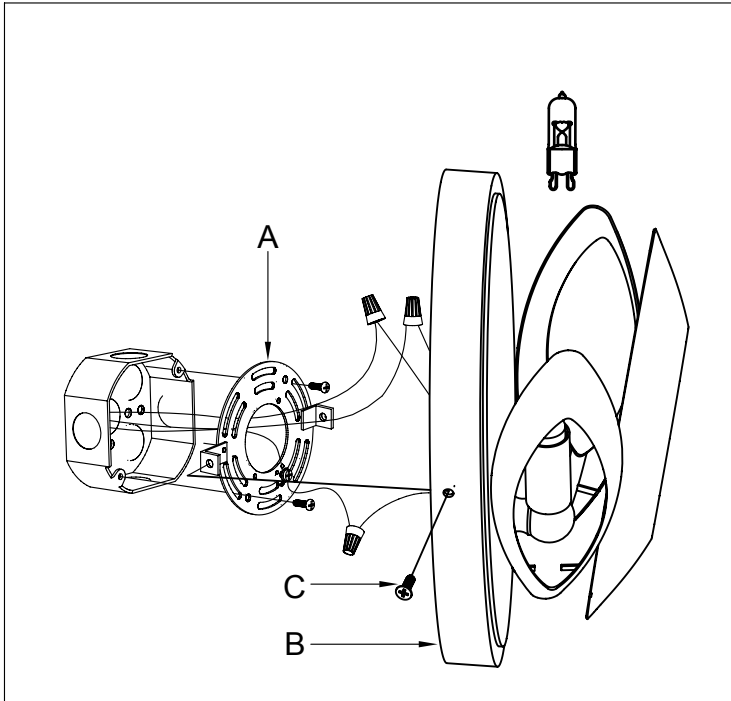


Body (B)



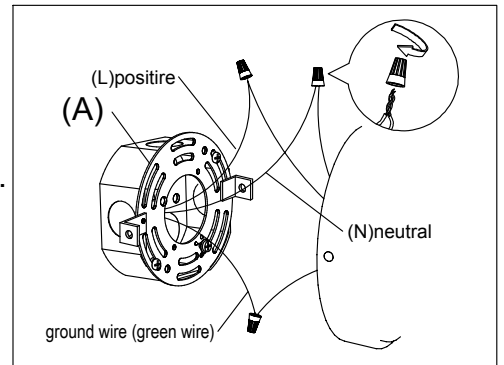
Screw (C)

**Locate all hardware & components before discarding packaging**



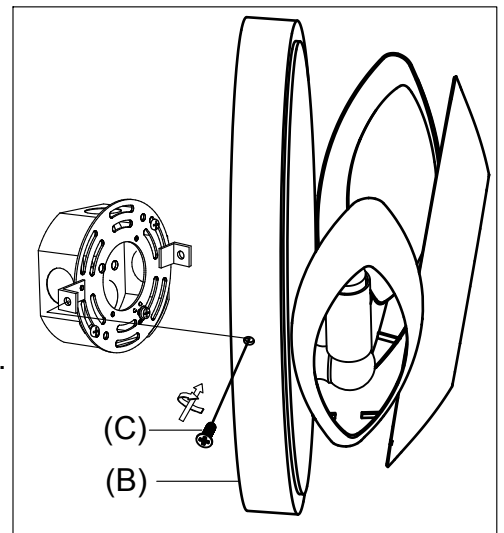
1).

Step.1: Remove mounting bracket (A) from fixture and install to electrical box.



2).

Step.2: Wire fixture to wires in outlet box. Green wire is for Ground.



3).

Step.3: Install body (B) to the outlet box and secure with screw(C).

**Cleaning & Care:**

Clean with soft cloth and a mild detergent.  
Do not use abrasive cleaner.