

# INSTALLATION INSTRUCTIONS FOR N7425-L

## For LED Pendant

**READ AND SAVE THESE INSTRUCTIONS**

**WARNING! SHUT POWER OFF AT FUSE OR CIRCUIT BREAKER**

**AVERTISSEMENT! COUPER LE COURANT AU NIVEAU DES FUSIBLES OU DO DISJONCTEUR**

### ASSEMBLING THE FIXTURE (Fig.1)

- 1 Shut off power at the fuse box or circuit breaker box. If necessary, remove the existing fixture and its mounting hardware.
- 2 Carefully remove the new fixture from the carton and check that all parts are included as shown in the illustration.
- 3 Thread the two screws (A) into the pre-drilled holes on the crossbar (B) spaced the same distance apart as the holes in canopy (F). Secure crossbar (B) to the junction box using mounting screw (C) (Size: 8\*32\*1/2"L). The side of the crossbar marked "GND" must face out.
- 4 This fixture includes three 12" and one 6" rods. Determine the desired hanging height and thread rods (J1), (J2) to nipple (K). Feed the fixture wire carefully through each rod. Please remove the nipple if installing with one 6" rod only.
- 5 Open quick link (I) and connect fixture loop to ceiling loop (H). Then thread the quick link closed.
- 6 The support cable is provided to support the weight of the fixture while wiring. Align the fixture to crossbar (B) and attach hook (D) on the end of support cable into a slot located on crossbar (B). Carefully allow the support cable to support the weight of the fixture while wiring.

### CONNECTING THE WIRES (Fig.2)

- 7 Connect the electrical wires as shown in Fig.2, making sure that all wire connectors are secured. If your outlet has a ground wire (green or bare copper), connect both fixture's ground wire and canopy's ground wire to it. Otherwise, connect the fixture's ground wire directly to the crossbar using the green screw (E) provided. After the wires are connected, tuck them neatly into the outlet box.

### COMPLETING THE INSTALLATION

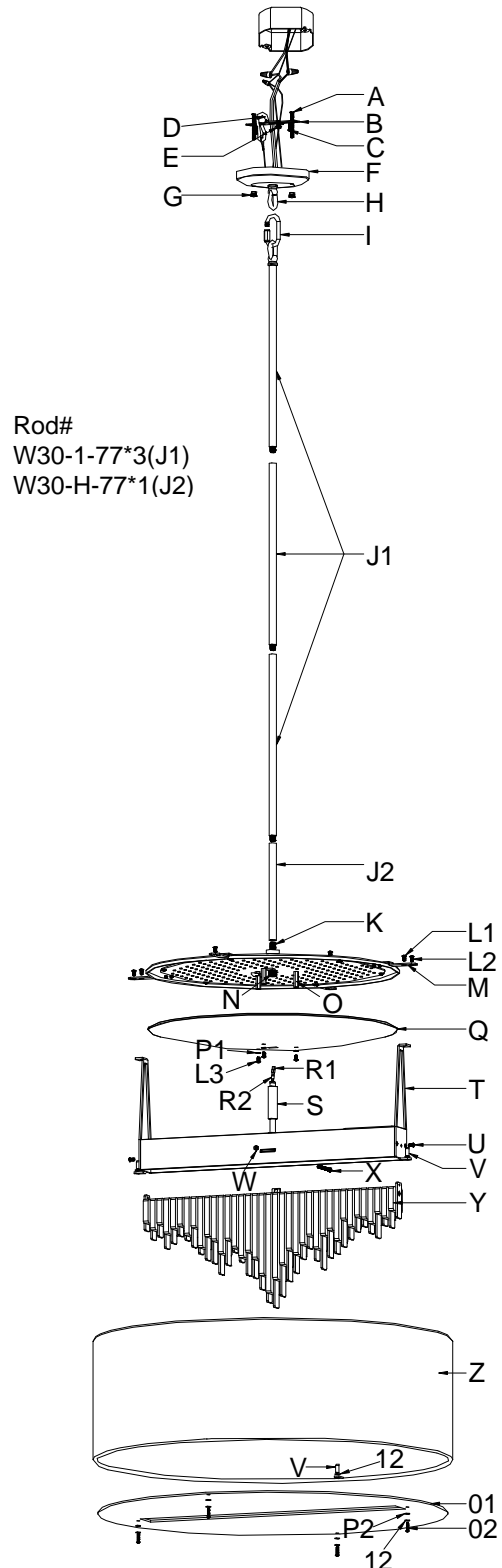
- 1 Align the canopy (F) onto screws (A) and secure with cap nuts (G).
- 2 Thread quick connector (R1) through the center hole of diffuser (Q) and connect it with quick connector (R2).
- 3 Secure diffuser (Q) onto studs (O) with screws (L3) and rubber washer (P1). To avoid diffuser breakage, do not over tighten screws (L3). Then thread rod (S) to nipple (N).
- 4 Align part (T) to the pre-drilled hole marked "A" on bar (M) then secure with screws (L1).
- 5 Gently align crystal set (Y) into part (T) then thread screw (X) through the center pre-drilled hole and the center hole on part (T), then secure with hex nuts (W) tightly. Secure crystal set (Y) both ends to fixture with screws (U).
- 6 Align fabric shade (Z) to the pre-drilled hole marked "B" on bar (M) then secure with screws (L2).
- 7 Align glass (01) to fabric shade (Z), and secure with part (P2,02,V,12) then tighten screws (L1, L2).

**(Note: Apply screw (L1,L2) for location purpose and do not tighten them before secure glass (01) to fabric shade (Z).)**

Your installation is now complete. Return power to the junction box and test the fixture.

**CAUTION /ATTENTION:** When handling the fixture, do not apply pressure to the LEDs. Hold the fixture by the base only.

**Fig.1**



**Replacing LED module (Fig. 3, Fig. 4)**

The LED module can be replaced by a qualified electrician without cutting of wire and without damage to any decorative element to which the fixture is attached. See installation steps for more details (Fig.3, Fig.4)

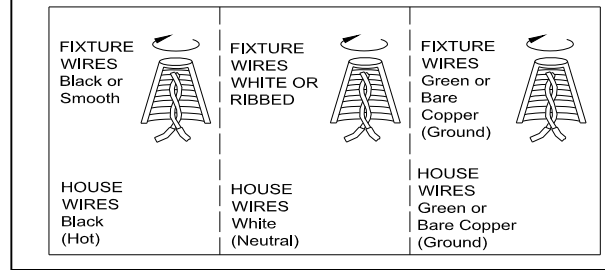
**Warning: Turn off power at the circuit breaker before replacing LED module.**

- a. Loosen part (P2,02,V,12), and remove glass (01).
  - b. Loosen screws (L2) and remove fabric shade (Z).
  - c. Loosen rod (S), and disconnect quick connector (R1/R2).
  - d. Loosen screws (L1) and remove part (T).
  - e. Loosen screws (L3), rubber washer (P1), and remove diffuser (Q).
  - f. To disconnect LED module (05): Loosen screws (04), rubber washers (03) and studs (O). Press the button of quick connector on LED module with screw driver to disconnect the wire and carefully remove LED module.
  - g. Reverse steps a-f for installing the new LED module (Fig.3).
  - h. Loosen part (P2,02,V,12), and remove glass (01).
  - i. Loosen screws (L2) and remove fabric shade (Z).
  - j. Loosen rod (S), and disconnect quick connector (R1/R2).
  - k. Loosen part (U, X,W) and remove crystal set (Y).
  - l. Loosen screws (06), remove case (07), and slide out diffuser (11).
  - m. To disconnect LED module (10): Loosen screws (09), rubber washers (08). Press the button of quick connector on LED module with screw driver to disconnect the wire and carefully remove LED module.
  - n. Reverse steps h-m for installing the new LED module (Fig.4)
- Note: The LED module should be provided by a specified supplier.

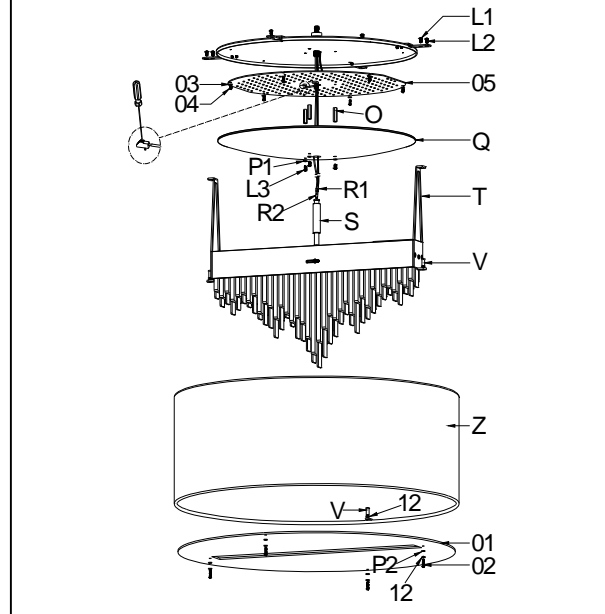
**IMPORTANT:** Fixture should be installed by a qualified electrician to ensure proper wiring and installation.

**Dimmable with ELV and/or LED compatible wall dimmer switches.**

**Fig.2**



**Fig.3**



**Fig.4**

