

INSTALLATION INSTRUCTIONS

For model#: N1753-77

WARNING! SHUT POWER OFF AT FUSE OR CIRCUIT BREAKER.
AVERTISSEMENT! COUPER LE COURANT AU NIVEAU DES FUSIBLES OU DU DISJONCTEUR.

MOUNTING THE FIXTURE, HARDWIRE (Fig. 1)

1. Carefully unpack the new fixture and lay out all the parts on a clear area. Take care not to lose any parts necessary for installation.
2. Shut off the power at the circuit breaker and remove the old fixture, including the mounting hardware
2. Position the mounting plate on the wall, and mark location of the mounting holes, Drill the holes on the wall, and then inserting the plastic anchors.
3. Attach the mounting plate (B) to the junction box (A) using the screws (N) (size:#8-32 0.5" L.). The side of the circular strap marked "GND" must face out, then secure the mounting plate (B) with the wood screws (J) through the four holes insert into the plastic anchors (I)

CONNECTING THE WIRES (Fig. 2)

4. At this point, connect the electrical wires as shown in figure 2, making sure that all wire connectors are secured. If your outlet has a ground wire (green or bare copper), connect the fixture's ground wire to it. Otherwise, connect the fixture's ground wire directly to the circular strap using the green screw provided. Tuck the wire connections neatly into the outlet box. (Min 75°C Supply conductors)

COMPLETING THE INSTALLATION (Fig. 1)

5. Place fixture body over the mounting plate (B) then secure them with screw (C) (size: #5/32"-32*0.5"L.).
6. Take out the crystals, and then fit it between lamp body, then lock it tightly with long screws (L) and short screws (H) provided with steel small balls (E). Remove clear plastic washer (K) if you are having trouble securing nut to screws.
7. Install the light bulbs (F)(not included)(3 x Max 60W Candelabra) in accordance with the fixture's specifications. (DO NOT EXCEED THE MAXIMUM WATTAGE RATING!) (NE PAS DEPASSER LA PUISSANCE NOMINALE MAXIMALE!)

Your installation is now complete. Return power to the outlet box and test the fixture.

NOTE: FIXTURE SHOULD BE INSTALLED BY A QUALIFIED ELECTRICIAN TO ENSURE PROPER WIRING AND INSTALLATION.

Fig. 1

Set-Mounting# A-021-558182

- Mounting plate (1)
- Green screw (1)
- Mounting screw (2)

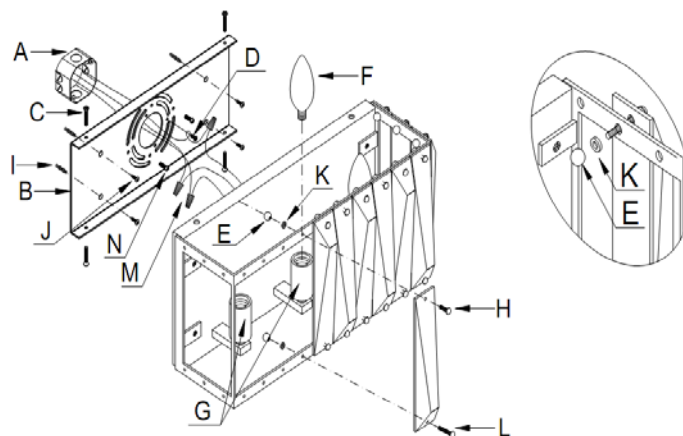


Fig. 2

