

INSTALLATION INSTRUCTIONS

Item#2341-77

READ AND SAVE THESE INSTRUCTIONS

WARNING! SHUT POWER OFF AT FUSE OR CIRCUIT BREAKER.

AVERTISSEMENT! COUPER LE COURANT AU NIVEAU DES FUSIBLES OU DU DISJONCTEUR.

HANGING THE FIXTURE (Fig. 1)

1. Carefully remove the fixture from the carton and check that all parts are included as shown in the illustration.
2. Shut off power at the circuit breaker and remove old fixture including the mounting hardware.
3. Connect rods (H) together to get desired hanging height. Secure rods (H) to quick link and loop (G). Attach quick link and loop (G) to the canopy (E). Now, attach rod and canopy to fixture body (I).
4. The crossbar (B) contains several pairs of threaded holes, find the pair of holes that match the holes spacing in your Junction box. Attach the crossbar (B) to the Junction Box using the two mounting screws (C size:8/32*27mm). Tighten the screws (C) securely with screwdriver.

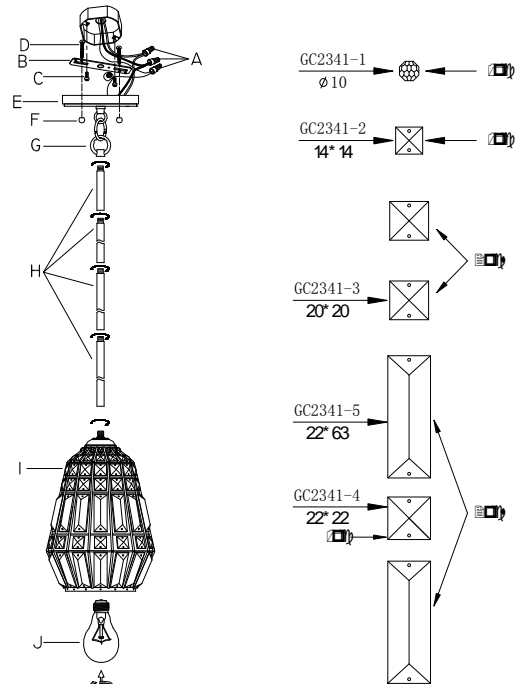
CONNECTING THE WIRES (Fig. 2)

5. At this point, connect the electrical wires as shown in (Fig.2), making sure that all wire connectors are secured. If your outlet has a ground wire (green or bare copper), connect the fixture's Ground Wire to it. Otherwise, connect the fixture's Ground Wire directly to the circular strap using the Green Screw provided.
6. Position the canopy (E) so that the mounting screws protruding from mounting bracket line up with the holes in the canopy. Secure canopy in place with provided cap nuts (F).

FINISH THE INSTALLATION (Fig. 1)

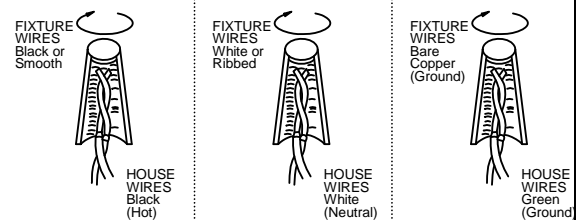
7. Install light bulb (J) (not included) in accordance with the fixture's specifications. (DO NOT EXCEED THE MAXIMUM WATTAGE RATING!!) (NE PAS DEPASSER LA PUISSANCE NOMINALE MAXIMALE!)
8. Your installation is complete now. Return power to the junction box and test the fixture. **Note: Illustration (Fig.1) on this manual is for installation purposes only. It may or may not be identical to the fixture purchased.**

Fig. 1



- Set#A-010
- Crossbar
- Ground Screw
- Mounting Screw*2
- Chain# HCH2072-77
- Crystal: *14 strands

Fig. 2



2341-77



No
ch
To
inc
the
str
us
sh