

Please go to www.quoizel.com for product cleaning tips. Go to the **Care + Maintenance** selection.

Tools Required: Flathead screwdriver, Phillips screwdriver, pliers, wire cutters, wire strippers, electrical tape, safety glasses.

Light Source: (6) A19 Medium Base bulbs 100W Maximum or
 (6) Medium Base Vintage bulbs are recommended but not supplied.

Estimated Assembly Time: 30-45 minutes

Preparation: Identify and inspect all parts before beginning installation. Check package content list and diagrams below to be sure all parts are present. If any parts are missing or damaged, do not attempt to assemble, install, or operate the fixture. Contact customer service for replacement parts.

Note: This CONVERTIBLE fixture can be mounted as pendant light or semi-flush light. Refer to respective installation steps for installations.

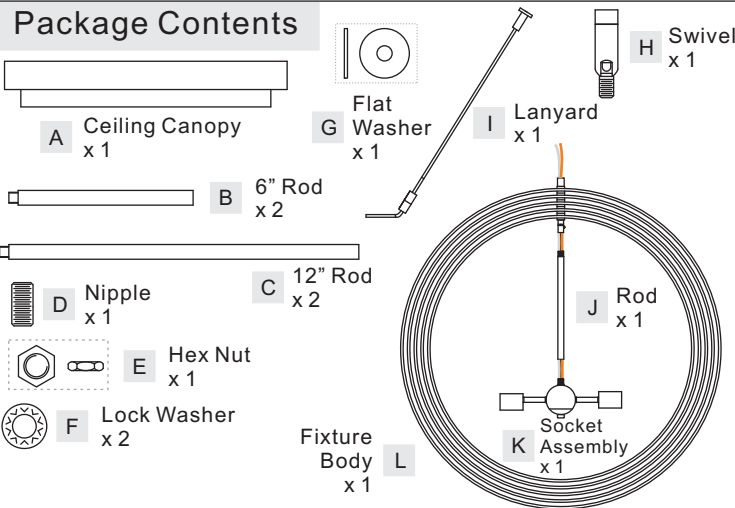
⚠ Warnings and Cautions

Turn off electricity at circuit breaker or main fuse box before installation. Consult a licensed electrician if in doubt.

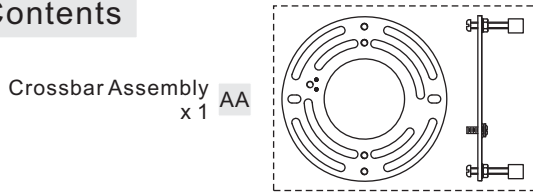
These instructions are provided for your safety. It is very important you read them completely before installing the fixture. We strongly recommend that a licensed, professional electrician perform the installation.

Disconnect fixture from power source before replacing bulbs. Make sure bulbs are given sufficient time to cool before removal.

Package Contents



Hardware Contents



STEP 1 – Install Fixture Body, Rod and Socket Assembly together

- A. Pass supply wires and ground wire through the Rod (J) and the Fixture Body (L) as shown.
- B. Thread the Socket Assembly (K), the Rod (J) and the Fixture Body (L) together and hand tighten until snug.

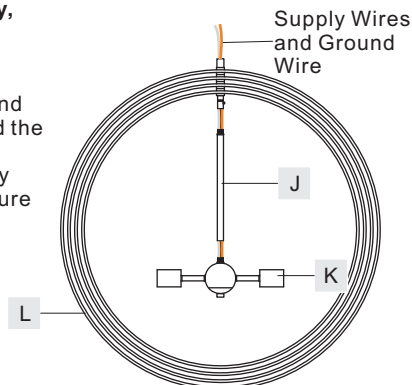


Figure 1

Assembly Instructions for Pendant Light (Step 1A - Step 8A)

STEP 1A – Attach Swivel and Ceiling Canopy together

- A. Thread Nipple (D) onto the Swivel (H).
- B. Place Ceiling Canopy (A), Flat Washer (G), Lanyard (I) and Lock Washer (F) over the Nipple (D). Secure by threading Hex Nut (E) onto the Nipple (D), tighten until snug with screwdrivers.

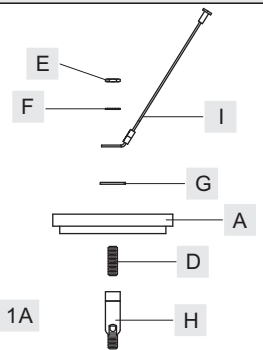


Figure 1A

STEP 2A – Assemble Rods and the Ceiling Canopy

- A. Determine Rods (B/C) to be assembled to Fixture Body (L) according to your hanging height.
- C. Pass supply wires and ground wire through the chosen rods (B/C) and Ceiling Canopy (A). Thread Fixture Body (L), the chosen Rods (B/C) and the Swivel (H) together. Hand tighten until snug.

Suggested rods for Ceiling height :
 8' ceiling : use (1) 6" rod
 9' ceiling : use (1) 6" rod and (1) 12" rods
 10' ceiling : use (1) 6" rod and (2) 12" rods

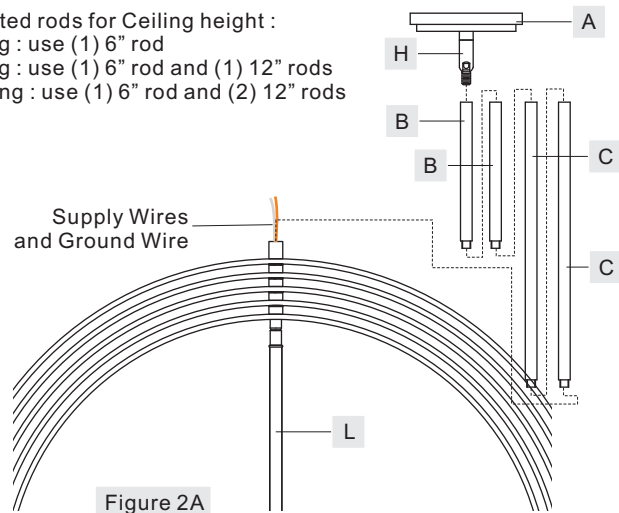


Figure 2A

Thank you for purchasing a Quoizel product.
Need assistance with parts or assembly? Call Quoizel customer service at 1-800-645-3184 or visit us on-line at www.quoizel.com

STEP 3A – Installing the Crossbar Assembly

A. Pass the supply wires through the Crossbar Assembly (AA). Attach the Crossbar Assembly (AA) to the Outlet Box with the head of the Green Ground Screw facing you. Secure the Crossbar Assembly (AA) with Outlet Box Screws (not included). Tighten until snug.

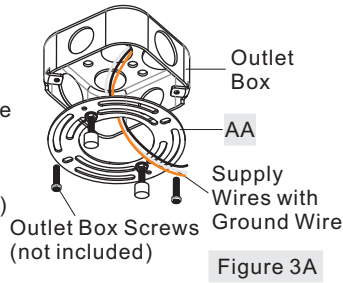


Figure 3A

STEP 4A – Test Fit the Ceiling Canopy to the Crossbar Assembly

A. Remove the mounting balls from the Crossbar Assembly (AA). Place the Ceiling Canopy (A) onto the Crossbar Assembly (AA) and secure with mounting balls. Note: The Ceiling Canopy (A) should be snug against the ceiling and held tight with the mounting balls. If it is not, adjust the length of the mounting screws on the Crossbar Assembly (AA) by unscrewing the preassembled hex nut and lock washer and then screwing the mounting screws in or out of the crossbar until the correct length is achieved. Once the Ceiling Canopy (A) is secure, remove the mounting ball and Ceiling Canopy (A) and proceed to Step 5A.

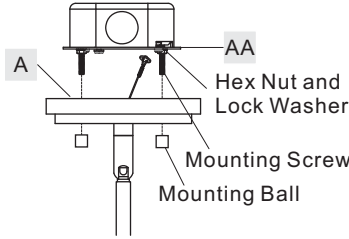


Figure 4A

STEP 5A - Attach the Lanyard

A. The purpose of the lanyard is to provide a means to support the fixture hands free from the junction box while connecting the electrical wires.
 B. Turn the Button Stop so it may be inserted into a Crossbar slot. Make sure the Button Stop is completely inside the Crossbar. Slowly release the fixture to make sure it is supported by the Button Stop. Proceed to the wiring steps in the next step. Once you are complete with the wiring, the Lanyard will push into the junction box when the fixture is placed for final mounting.

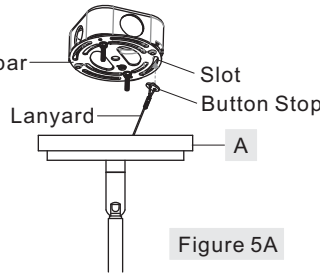


Figure 5A

STEP 6A - Wire Connections

A. Use standard wire connectors (not included) to make all wire connections. Twist connectors until wires are tightly joined together. Wrap each connection with approved electrical tape and carefully stuff all the connected wires into the Outlet Box.

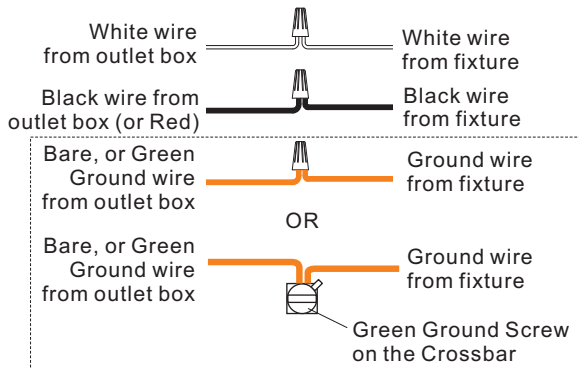


Figure 6A

STEP 7A – Install the Fixture

A. Position the Ceiling Canopy (A) and fixture onto the Crossbar Assembly (AA). Place the holes in the ceiling canopy over the mounting screws. Secure the fixture by using the mounting balls and hand tighten the mounting balls until snug.

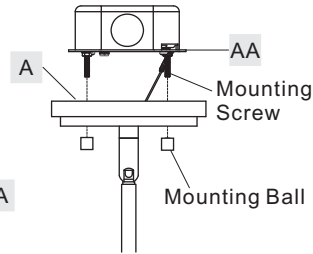


Figure 7A

STEP 8A – Install Bulbs and Adjust Rings

A. Insert bulbs onto sockets and screw snugly into place.
 B. Adjust Rings to your desired locations.

Your fixture is now assembled and ready to use. Enjoy!

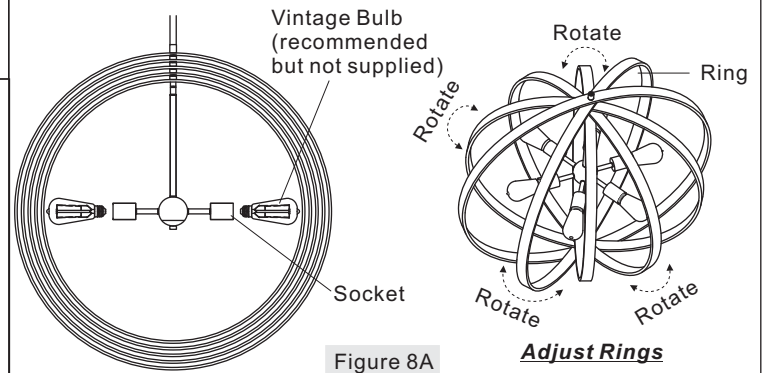
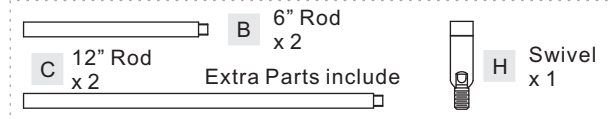


Figure 8A

Assembly Instructions for Semi-flush Light (Step 1B - Step 7B)

Part B, Part C and Part H will not be used in the assembly of the Semi-Flush Light fixture. Please set aside these parts.



STEP 1B – Install Ceiling Canopy and Lanyard to Fixture Body

A. Pass supply wires with ground wire through Nipple (D), Ceiling Canopy (A), Flat Washer (G), Lanyard (I), Lock Washer (F) and Hex Nut (E). Thread Nipple (D) onto Fixture Body (L). Place Ceiling Canopy (A), Flat Washer (G), Lanyard (I) and Lock Washer (F) onto Nipple (D). Secure by threading Hex Nut (E) onto Nipple (D). Hand

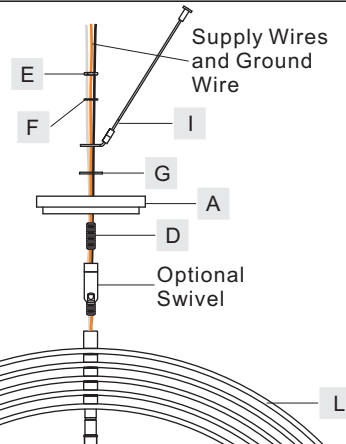


Figure 1B

Thank you for purchasing a Quoizel product.
 Need assistance with parts or assembly? Call Quoizel customer service at 1-800-645-3184 or visit us on-line at www.quoise.com

(Step 1B Continued)

tighten until snug. Cut the wires leaving approximately 6" of wire extending from the Ceiling Canopy.

- B. Optional Swivel: Install the swivel to Fixture Body (L) and then attach Nipple (D) and Ceiling Canopy (A) to the Swivel using the Flat Washer (G), Lanyard (I), Lock Washer (F) and Hex Nut (E) as in step A.

STEP 2B – Installing the Crossbar Assembly

- A. Pass the supply wires through the Crossbar Assembly (AA). Attach the Crossbar Assembly (AA) to the Outlet Box with the head of the Green Ground Screw facing you. Secure the Crossbar Assembly (AA) with Outlet Box Screws (not included). Tighten until snug.

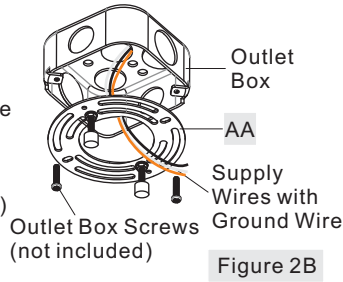


Figure 2B

STEP 3B – Test Fit the Ceiling Canopy to the Crossbar Assembly

- A. Remove the mounting balls from the Crossbar Assembly (AA). Place the Ceiling Canopy (A) onto the Crossbar Assembly (AA) and secure with mounting balls. Note: The Ceiling Canopy (A) should be snug against the ceiling and held tight with the mounting balls. If it is not, adjust the length of the mounting screws on the Crossbar Assembly (AA) by unscrewing the preassembled hex nut and lock washer and then screwing the mounting screws in or out of the crossbar until the correct length is achieved. Once the Ceiling Canopy (A) is secure, remove the mounting ball and Ceiling Canopy (A) and proceed to Step 4B.

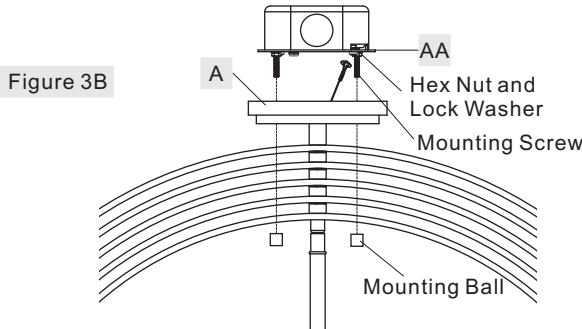


Figure 3B

STEP 4B - Attach the Lanyard

- A. The purpose of the lanyard is to provide a means to support the fixture hands free from the junction box while connecting the electrical wires.
- B. Turn the Button Stop so it may be inserted into a Crossbar slot. Make sure the Button Stop is completely inside the Crossbar. Slowly release the fixture to make sure it is supported by the Button Stop. Proceed to the wiring steps in the next step. Once you are complete with the wiring, the Lanyard will push into the junction box when the fixture is placed for final mounting.

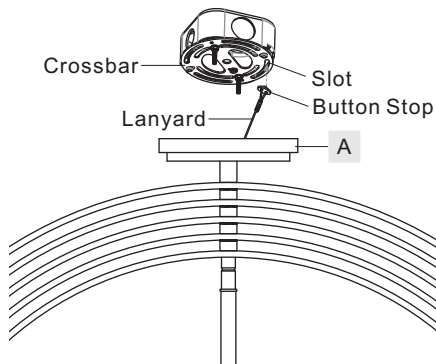


Figure 4B

STEP 5B - Wire Connections

- A. Use standard wire connectors (not included) to make all wire connections. Twist connectors until wires are tightly joined together. Wrap each connection with approved electrical tape and carefully stuff all the connected wires into the Outlet Box.

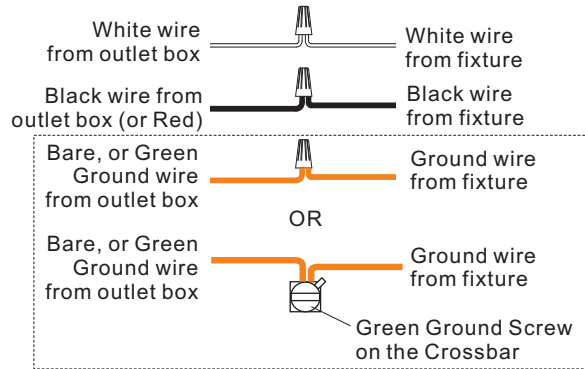


Figure 5B

STEP 6B – Install the Fixture

- A. Position the Ceiling Canopy (A) and fixture onto the Crossbar Assembly (AA). Place the holes in the ceiling canopy over the mounting screws. Secure the fixture by using the mounting balls and hand tighten the mounting balls until snug.

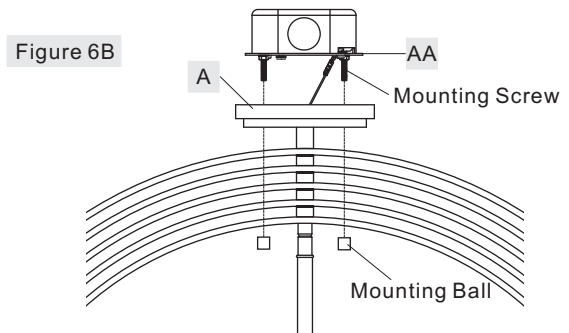


Figure 6B

STEP 7B – Install Bulbs and Adjust Rings

- A. Insert bulbs onto sockets and screw snugly into place.
- B. Adjust Rings to your desired locations.

Your fixture is now assembled and ready to use. Enjoy!

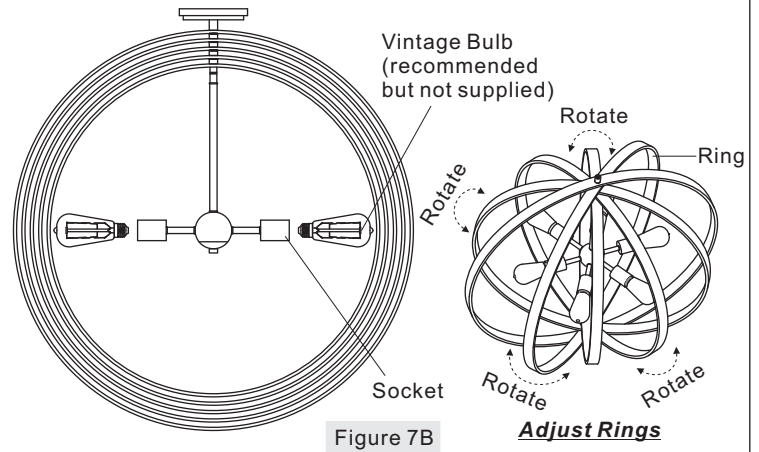


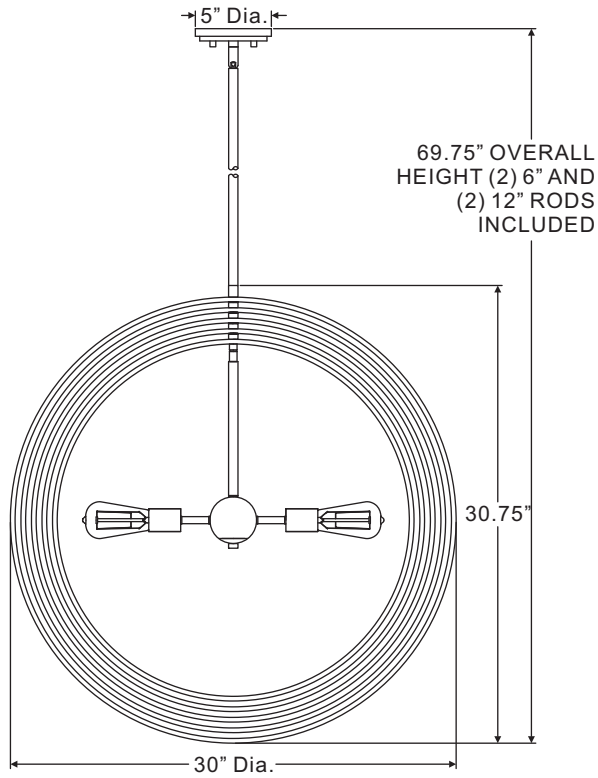
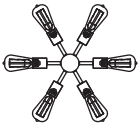
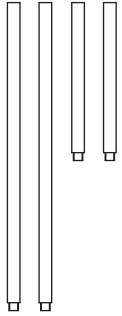
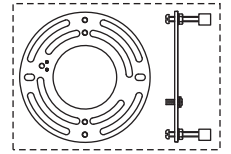
Figure 7B

Thank you for purchasing a Quoizel product.
Need assistance with parts or assembly? Call Quoizel customer service at 1-800-645-3184
or visit us on-line at www.quoise.com

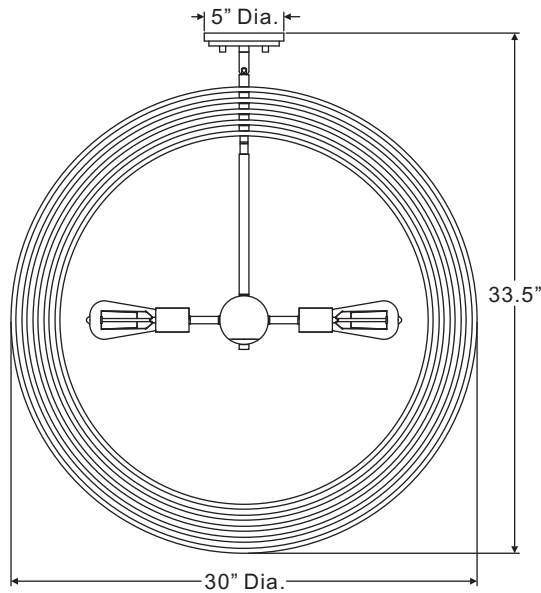
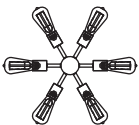
CCT2830WT

FINISH: WESTERN BRONZE

PENDANT LIGHT



SEMI-FLUSH



NOTE: ALL DIMENSIONS ARE ROUNDED UP TO THE NEAREST 1/4"

Thank you for purchasing a Quoizel product.
Need assistance with parts or assembly? Call Quoizel customer service at 1-800-645-3184
or visit us on-line at www.quoise.com