

Please go to [www. quozel. com](http://www. quozel. com) for product cleaning tips. Go to the **Care + Maintenance** selection.

**Tools Required:** Flathead screwdriver, Phillips screwdriver, pliers, wire cutters, wire strippers, electrical tape, safety glasses.

**Light Source:** (1) A19 Medium Base 100W bulb Maximum.

**Estimated Assembly Time:** 30-45 minutes

**Preparation:** Identify and inspect all parts before beginning installation. Check package content list and diagrams below to be sure all parts are present. If any parts are missing or damaged, do not attempt to assemble, install, or operate the fixture. Contact customer service for replacement parts.

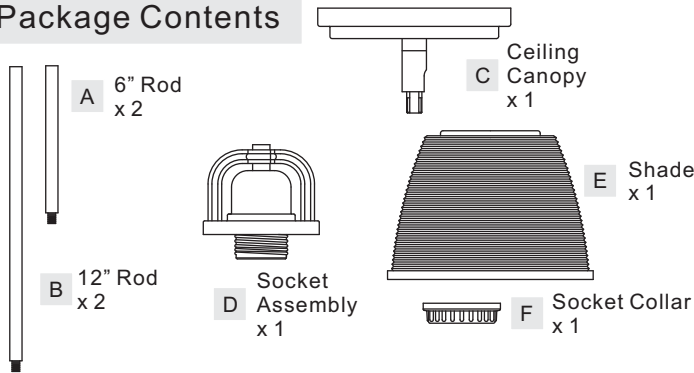
### ⚠ Warnings and Cautions

Turn off electricity at circuit breaker or main fuse box before installation. Consult a licensed electrician if in doubt.

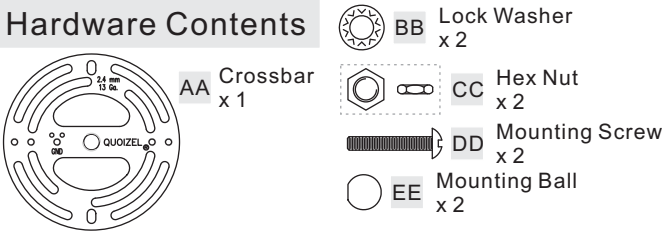
These instructions are provided for your safety. It is very important you read them completely before installing the fixture. We strongly recommend that a licensed, professional electrician perform the installation.

Disconnect fixture from power source before replacing bulbs. Make sure bulbs are given sufficient time to cool before removal.

### Package Contents



### Hardware Contents



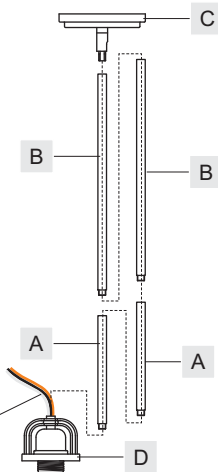
### STEP 1 - Install Ceiling Canopy, Rods and Socket Assembly together

- Determine the Rods (A/B) to be assembled to the Socket Assembly (D) according to your hanging height.
- Pass the supply wires and ground wire through the chosen rods (A/B) and the Ceiling Canopy (C). Thread the Socket Assembly (D), the chosen Rods (A/B) and the Ceiling Canopy (C) together. Hand tighten until snug.

Suggested rods for Ceiling height :  
8' ceiling : use (2) 12" rods  
9' ceiling : use (2) 6" rods and (2) 12" rods

Figure 1

Supply Wires and Ground Wire



### STEP 2 - Attach Mounting Screws, Lock Washers and Hex Nuts to Crossbar

- Line up a set of holes on the Crossbar (AA) and Holes on the Ceiling Canopy (C). Thread Mounting Screws (DD) into the holes on the

### (Step 2 Continued)

Crossbar (AA). Pass Lock Washers (BB) and thread Hex Nuts (CC) onto the Mounting Screws (DD) . Hand tighten until snug.

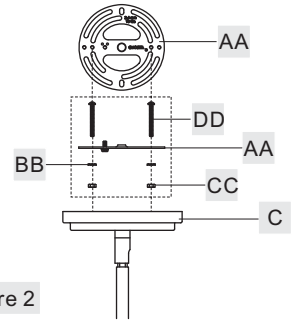


Figure 2

### STEP 3 - Attach Crossbar to Outlet Box

- Pass the supply wires through the Crossbar (AA). Attach the Crossbar (AA) to the Outlet Box with the head of the Green Ground Screw facing you. Secure it with Outlet Box Screws (not included). Tighten until snug.

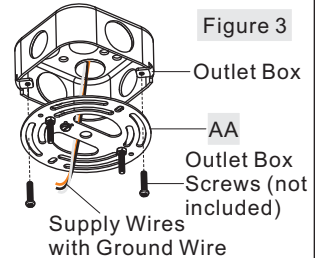


Figure 3

### STEP 4 - Fit Ceiling Canopy to Crossbar Assembly

- Fit the Ceiling Canopy (C) to Mounting Screws (DD) and secure with Mounting Balls (EE). Note: The Ceiling Canopy (C) should be snug against the ceiling and the Mounting Balls (EE). If not, adjust the length of the Mounting Screws (DD) by unscrewing the Hex Nut (CC) and Lock Washer (BB) and then screwing Mounting Screws (DD) in or out of the Crossbar (AA) until the correct length is achieved. Once the Ceiling Canopy (C) is secure, remove the Mounting Ball (EE) and Ceiling Canopy (C) and proceed to Step 5.

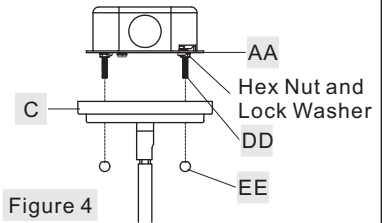


Figure 4

### STEP 5 - Wire Connections

- Use standard wire connectors (not included) to make all wire

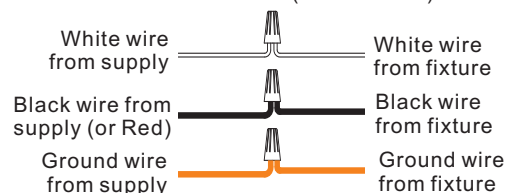


Figure 5

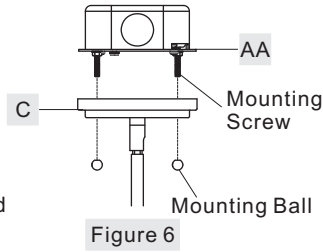
Thank you for purchasing a Quoizel product.  
Need assistance with parts or assembly? Call Quoizel customer service at 1-800-645-3184  
or visit us on-line at [www. quozel. com](http://www. quozel. com)

**(Step 5 Continued)**

connections. Twist connectors until wires are tightly joined together. Wrap each connection with approved electrical tape and carefully stuff all the connected wires into the Outlet Box.

**STEP 6 - Install Ceiling Canopy to Ceiling**

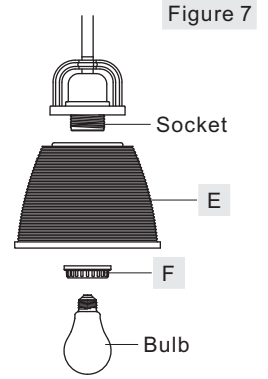
A. Carefully tuck all wires into the outlet box and position the Ceiling Canopy of (C) over the outlet box. Align the holes in the ceiling canopy with the Mounting Screws (DD). Secure with Mounting Balls (EE) and hand tighten until snug.



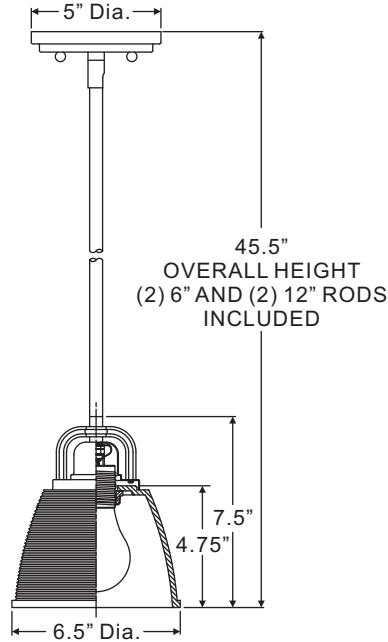
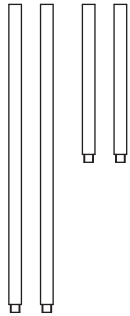
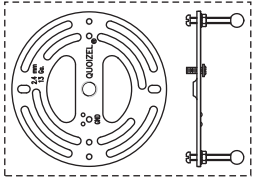
**STEP 7 - Install Shade and Bulb**

A. Place the Shade (E) over the Socket and secure with the Socket Collar (F). Hand tighten until snug.  
 B. Insert bulb onto socket and screw snugly into place.

Your fixture is now assembled and ready to use. Enjoy!



DBN1506BN	DBN1506K
FINISH: BRUSHED NICKEL	FINISH: MYSTIC BLACK



NOTE: ALL DIMENSIONS ARE ROUNDED UP TO THE NEAREST 1/4"

Thank you for purchasing a Quoizel product.  
 Need assistance with parts or assembly? Call Quoizel customer service at 1-800-645-3184  
 or visit us on-line at [www.quoise.com](http://www.quoise.com)