

Please go to [www.quoise.com](http://www.quoise.com) for product cleaning tips. Go to the **Care + Maintenance** selection.

**Tools Required:** Flathead screwdriver, Phillips screwdriver, pliers, wire cutters, wire strippers, electrical tape, safety glasses.

**Light Source:** (5) B10 Candelabra Base Bulbs 60W Maximum

**Estimated Assembly Time:** 30-45 minutes

**Preparation:** Identify and inspect all parts before beginning installation. Check package content list and diagrams below to be sure all parts are present. If any parts are missing or damaged, do not attempt to assemble, install, or operate the fixture. Contact customer service for replacement parts.

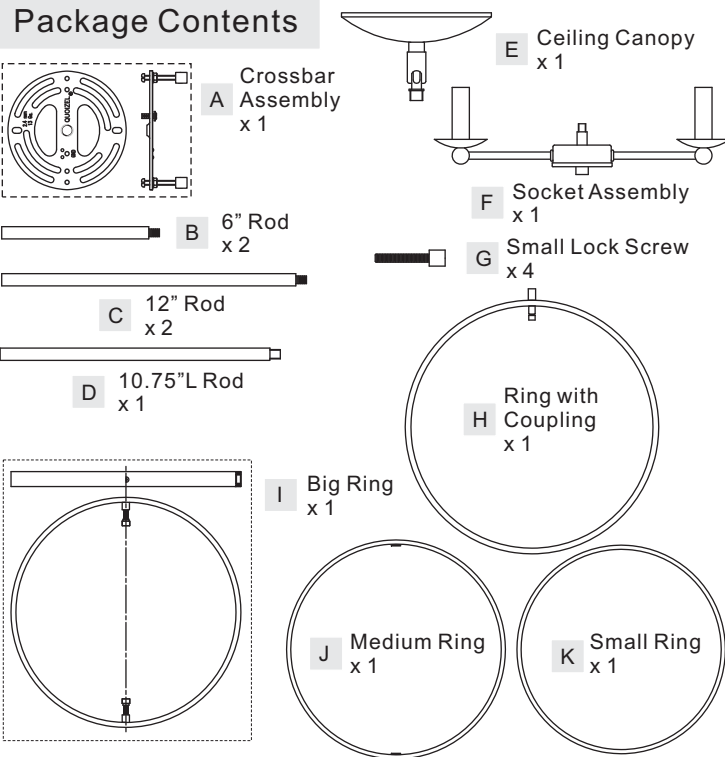
### ⚠ Warnings and Cautions

Turn off electricity at circuit breaker or main fuse box before installation. Consult a licensed electrician if in doubt.

These instructions are provided for your safety. It is very important you read them completely before installing the fixture. We strongly recommend that a licensed, professional electrician perform the installation.

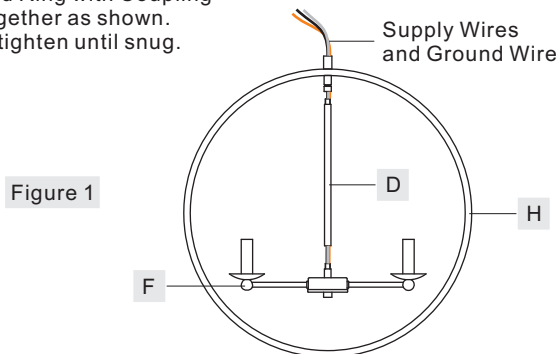
Disconnect fixture from power source before replacing bulbs. Make sure bulbs are given sufficient time to cool before removal.

### Package Contents



### STEP 1 - Install Socket Assembly to Ring with Coupling

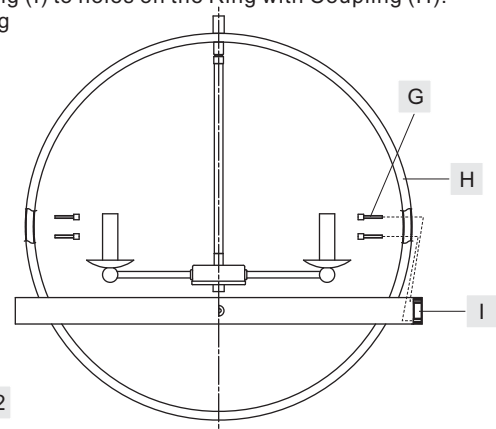
- A. Pass Supply Wires with Ground Wire through 10.75" L Rod (D) and Ring with Coupling (H). Thread Socket Assembly (F), 10.75" L Rod (D) and Ring with Coupling (H) together as shown. Hand tighten until snug.



### STEP 2 - Assemble Big Ring

- A. Place the Big Ring (I) over Ring with Coupling (H) and align mounting holes on the Big Ring (I) to holes on the Ring with Coupling (H). Secure by threading Small Lock Screws (G) into mounting holes on the Big Ring (I). Hand tighten until snug.

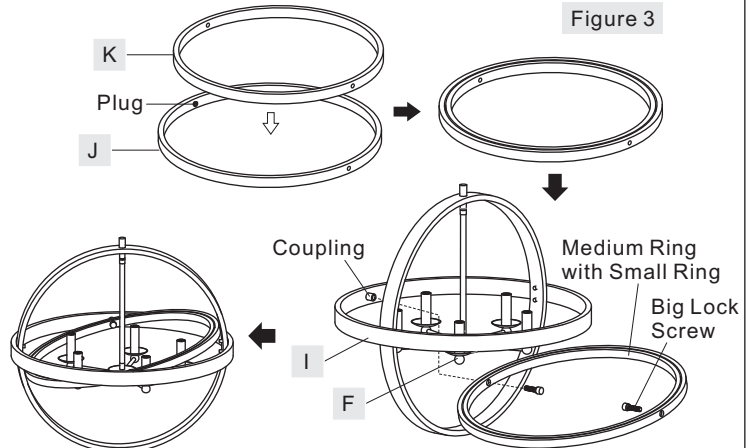
Figure 2



### STEP 3 - Install Medium Ring and Small Ring

- A. Place Small Ring (K) inside of Medium Ring (J) and align holes on Small Ring (K) to Plugs on the Medium Ring (J).  
 B. Remove Big Lock Screws from the Big Ring (I). Place Medium Ring with Small Ring (J&K) from bottom of Socket Assembly (F) and align holes on them to mounting holes on Couplings at the Big Ring (I). Secure them together by threading previously removed Big Lock Screws into Couplings. Hand tighten until snug.

Figure 3



Thank you for purchasing a Quoizel product.  
Need assistance with parts or assembly? Call Quoizel customer service at 1-800-645-3184  
or visit us on-line at [www.quoise.com](http://www.quoise.com)

**STEP 4 - Install Ceiling Canopy, Rods and Ring with Coupling together**

- A. Determine the Rods (B/C) to be assembled to the Ring with Coupling (H) according to your hanging height.
- B. Pass the supply wires and ground wire through the chosen rods (B/C) and the Ceiling Canopy (E). Thread the Ring with Coupling (H), the chosen Rods (B/C) and the Ceiling Canopy (E) together. Hand tighten until snug.

Suggested rods for Ceiling height :  
 8' ceiling : use (1) 12" rod  
 9' ceiling : use (2) 12" rods  
 10' ceiling: use (2) 6" rods and (2) 12" rods

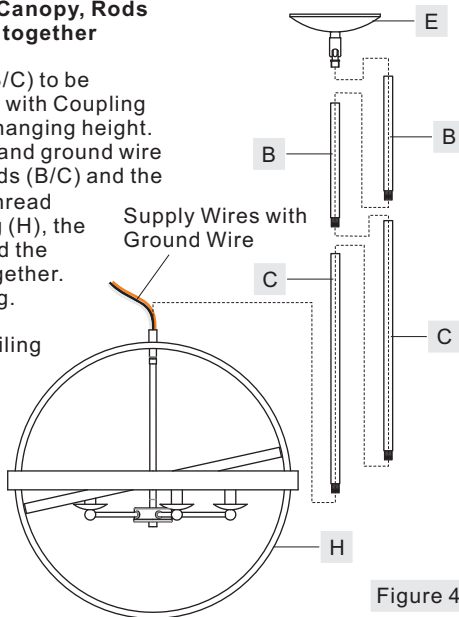


Figure 4

**STEP 5 - Install Crossbar Assembly**

- A. Pass the supply wires through the Crossbar Assembly (A). Attach the Crossbar Assembly (A) to the Outlet Box with the head of the Green Ground Screw facing you. Secure it with Outlet Box Screws (not included). Tighten until snug.

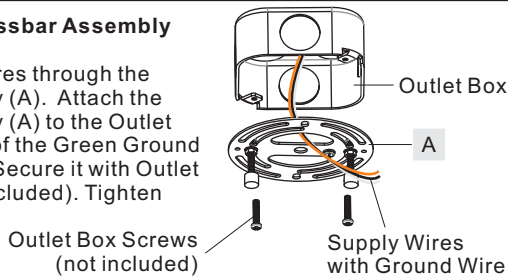


Figure 5

**STEP 6 - Fit Ceiling Canopy to Crossbar Assembly**

- A. Remove mounting balls from the Crossbar Assembly (A). Fit the Ceiling Canopy (E) to the Crossbar Assembly (A) and secure with mounting balls. Note: The Ceiling Canopy (E) should be snug against the ceiling and the mounting balls. If not, adjust the length of the nipple on the Crossbar Assembly (A) by unscrewing the preassembled hex nut and lock washer and then screwing the mounting screws in or out of the crossbar until the correct length is achieved. Once the Ceiling Canopy (E) is secure, remove the mounting ball and Ceiling Canopy (E) and proceed to Step 7.

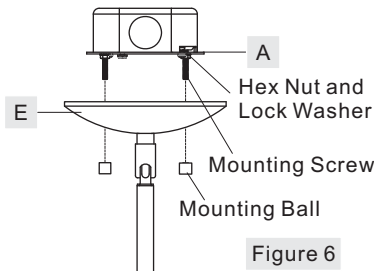


Figure 6

**STEP 7 - Wire Connections**

- A. Use standard wire connectors (not included) to make all wire connections. Twist connectors until wires are tightly joined together. Wrap each connection with approved electrical tape and carefully stuff all the connected wires into the Outlet Box.

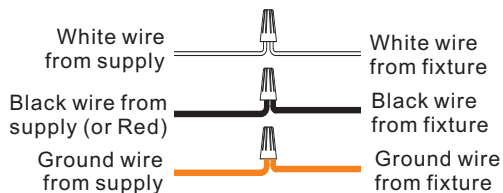


Figure 7

**STEP 8 - Install Fixture Body**

- A. Carefully tuck all wires into the outlet box and position the Ceiling Canopy (E) over the outlet box. Align the holes in the Ceiling Canopy (E) with the mounting screws, then attach the Ceiling Canopy (E) using the previously removed mounting balls. Hand tighten until snug.

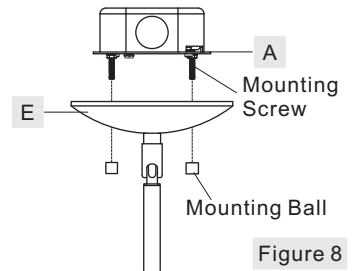


Figure 8

**STEP 9 - Install Bulbs**

- A. Insert bulbs and screw snugly into place.
- B. Rotate Medium Ring and Small Ring to your desired locations.

Your fixture is now assembled and ready to use. Enjoy!

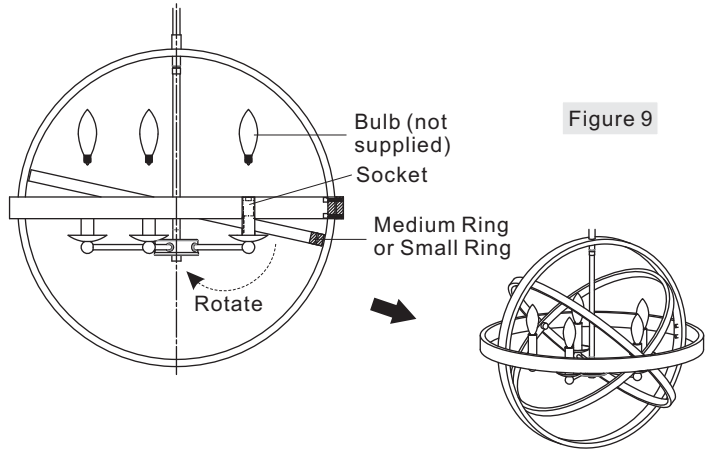
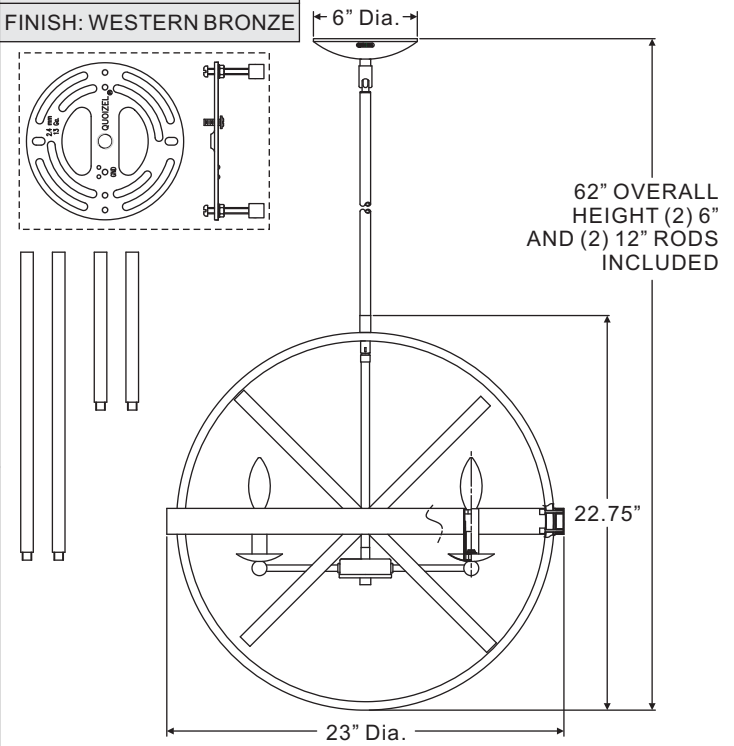


Figure 9

EON2823WT

FINISH: WESTERN BRONZE



NOTE: ALL DIMENSIONS ARE ROUNDED UP TO THE NEAREST 1/4"

Thank you for purchasing a Quoizel product.  
 Need assistance with parts or assembly? Call Quoizel customer service at 1-800-645-3184  
 or visit us on-line at [www.quoise.com](http://www.quoise.com)