

Please go to www. quozel. com for product cleaning tips. Go to the **Care + Maintenance** selection.

Tools Required: Flathead screwdriver, Phillips screwdriver, pliers, wire cutters, wire strippers, electrical tape, safety glasses.

Light Source: Integrated LED 30W

Compatible Dimmer Switches: Lutron AYCL-153P or Lutron DVCL-153P.

Estimated Assembly Time: 30-45 minutes

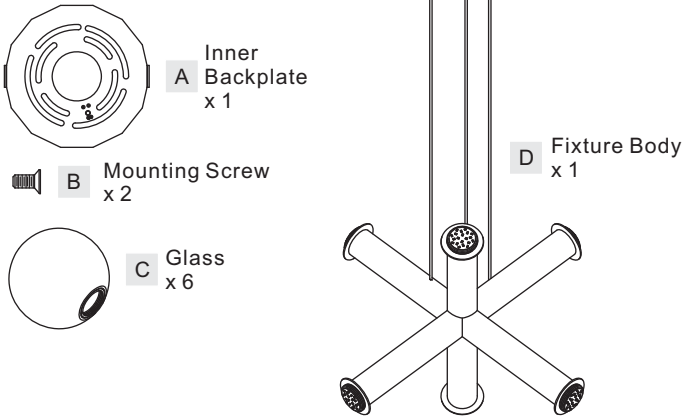
Preparation: Identify and inspect all parts before beginning installation. Check package content list and diagrams below to be sure all parts are present. If any parts are missing or damaged, do not attempt to assemble, install, or operate the fixture. Contact customer service for replacement parts.

⚠ Warnings and Cautions

Turn off electricity at circuit breaker or main fuse box before installation. Consult a licensed electrician if in doubt.

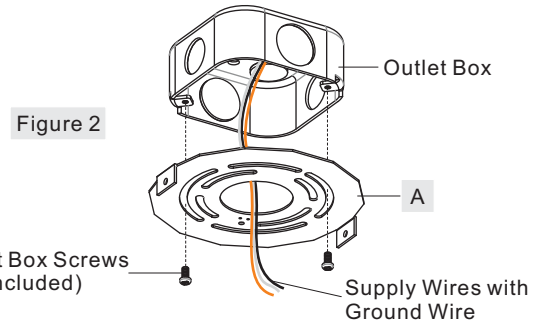
These instructions are provided for your safety. It is very important you read them completely before installing the fixture. We strongly recommend that a licensed, professional electrician perform the installation.

Package Contents



STEP 2 – Installing the Inner Backplate

- A. Pass the supply wires from outlet box through the Inner Backplate (A). Attach the Inner Backplate (A) to the Outlet Box with the head of the Green Ground Screw facing you. Secure the Inner Backplate (A) with Outlet Box Screws (not included). Tighten until snug.



STEP 1 - Adjust Fixture Height

- A. Push pins underside of the ceiling canopy to adjust the Fixture Body (D) to your desired hanging height. Move sliders on the cord inside of the ceiling canopy close to hex nuts.
- Note: Make sure all cords are in the same length after adjustment to level the Fixture Body (D).

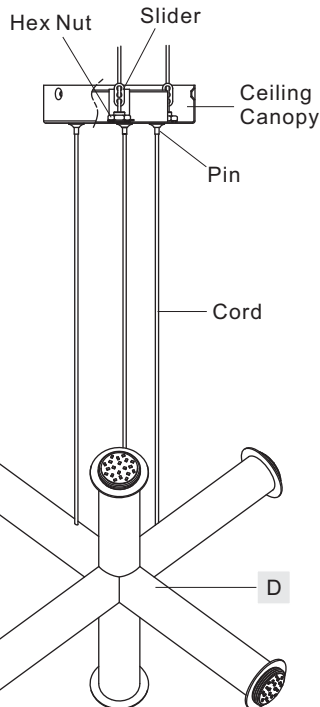


Figure 1

STEP 3 - Wire Connections

- A. Wrap bare or green ground wire around green ground screw on the crossbar, no less than 2 inches from the end of the wire. Tighten the green ground screw.
- B. Use standard wire connectors (not included) to make all wire connections. Twist connectors until wires are tightly joined together. Wrap each connection with approved electrical tape and carefully stuff all the connected wires into the Outlet Box.

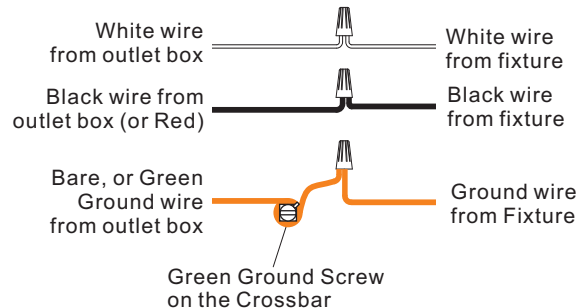


Figure 3

Thank you for purchasing a Quoizel product.
Need assistance with parts or assembly? Call Quoizel customer service at 1-800-645-3184
or visit us on-line at www. quozel. com

STEP 4 - Install the Fixture

A. Carefully tuck all wires into the outlet box and position the Ceiling Canopy (F) over the outlet box. Align the holes on the side of the Ceiling Canopy (F) to the mounting holes on the Inner Backplate (A) and secure with Mounting Screws (B). Hand tighten until snug.

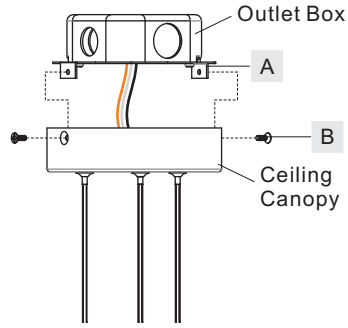


Figure 4

STEP 5 - Install Glass

A. Thread Glasses (C) onto Fixture Body (D) and hand tighten until snug.

Your fixture is now assembled and ready to use. Enjoy!

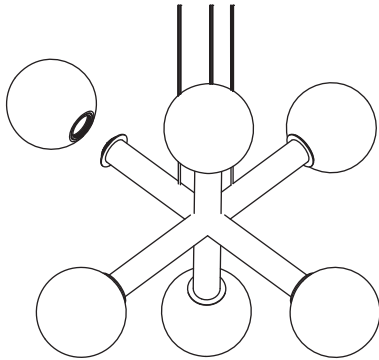
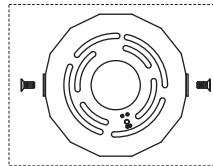


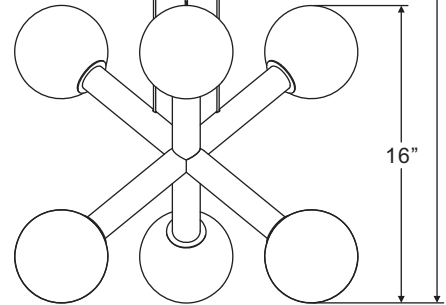
Figure 5

PCAF5006C
FINISH: POLISHED CHROME

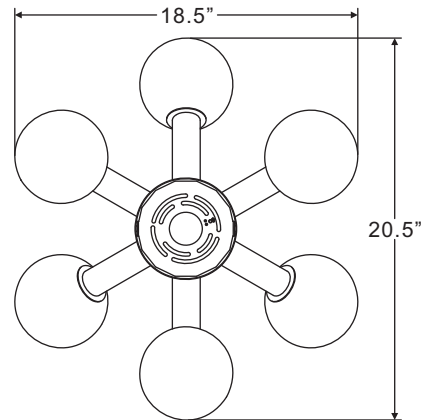


5.5" Dia.

100.25" OVERALL HEIGHT INCLUDE 96" CORDS



16"



18.5"

20.5"

NOTE: ALL DIMENSIONS ARE ROUNDED UP TO THE NEAREST 1/4"

Thank you for purchasing a Quoizel product.
Need assistance with parts or assembly? Call Quoizel customer service at 1-800-645-3184
or visit us on-line at www.quoise.com