

Please go to www. quozel. com for product cleaning tips. Go to the **Care + Maintenance** selection.

Tools Required: Flathead screwdriver, Phillips screwdriver, pliers, wire cutters, wire strippers, electrical tape, safety glasses.

Light Source: Integrated 4.5W LED

Compatible Dimmer Switches: Lutron DVELV-300P or Lutron SELV-300P.

Estimated Assembly Time: 20-30 minutes

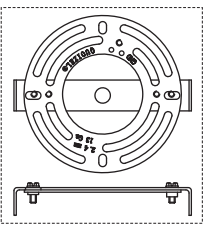
Preparation: Identify and inspect all parts before beginning installation. Check package content list and diagrams below to be sure all parts are present. If any parts are missing or damaged, do not attempt to assemble, install, or operate the fixture. Contact customer service for replacement parts.

⚠ Warnings and Cautions

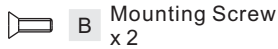
Turn off electricity at circuit breaker or main fuse box before installation. Consult a licensed electrician if in doubt.

These instructions are provided for your safety. It is very important you read them completely before installing the fixture. We strongly recommend that a licensed, professional electrician perform the installation.

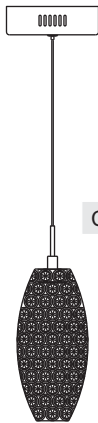
Package Contents



A Crossbar
x 1



B Mounting Screw
x 2



C Fixture Body
x 1

STEP 2 – Attach Crossbar to Outlet Box

A. Attach the Crossbar (A) to Outlet Box and secure by threading Outlet Box Screws (not supplied) into the Mounting Holes on the Outlet Box. Tighten until snug.

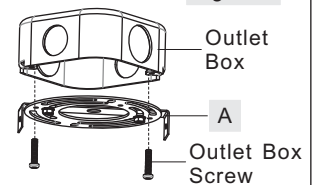


Figure 2

STEP 3 – Make Wire Connections

A. Use standard wire connectors (not included) to make all wire connections. Twist connectors until wires are tightly joined together. Wrap each connection with approved electrical tape and carefully stuff all the connected wires into the Outlet Box.

Note: If the electrical wire is going to be cut shorter than provided. Please leave approximately 10" of wire extruding from the Ceiling Canopy. You will need to identify the "L" line wire and the "N" wire before you cut the excess wire off. One is labeled N and the other labeled L. To do this strip back the clear wire covering the 2 fixture wires as far as you need to. This will expose each fixture wire individually. Separate the "L" wire from the other one and re-label the wire near where you want to make the cut. Be sure to mark the wire on the side of the fixture and not on the excess wire being cut and removed. Do the same labeling with the "N" wire.

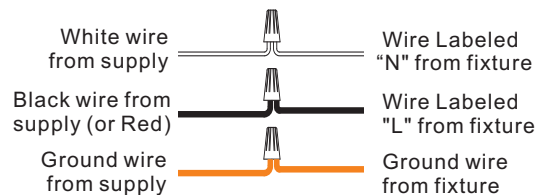


Figure 3

STEP 1 – Adjust Fixture Height

A. Push the Pin on the bottom of the Ceiling Canopy, adjust the Cable in or out of the Ceiling Canopy to achieve your desired hanging height. Once your desired hanging height is achieved, release the pin and move the Slider close to hex nut inside of the Ceiling Canopy.

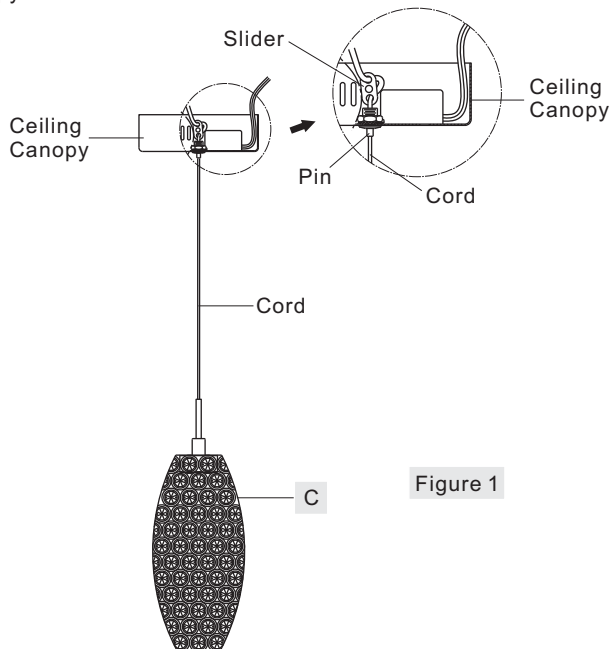


Figure 1

STEP 4 – Attach Ceiling Canopy to Crossbar

A. Fit excess cord and electrical wires in the ceiling canopy properly. Line up the holes on the side of the ceiling canopy to the mounting holes on the Crossbar (A). Secure them with Mounting Screws (B). Tighten until snug.

Your fixture is now assembled and ready to use. Enjoy!

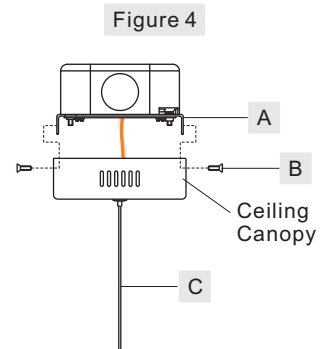
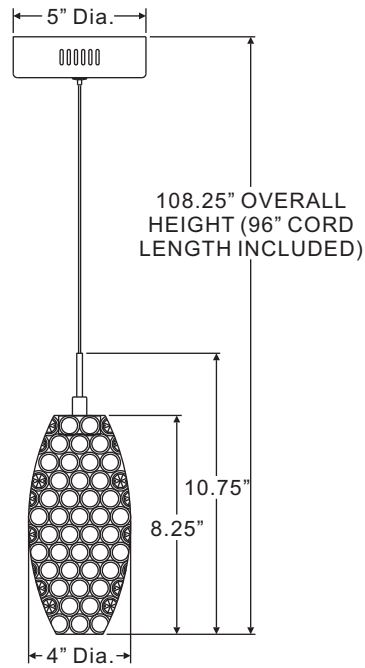
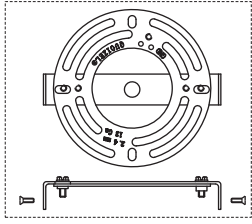


Figure 4

Thank you for purchasing a Quoizel product.
Need assistance with parts or assembly? Call Quoizel customer service at 1-800-645-3184
or visit us on-line at www. quozel. com

PCIN1504C

FINISH: POLISHED CHROME



NOTE: ALL DIMENSIONS ARE ROUNDED UP TO THE NEAREST 1/4"

Thank you for purchasing a Quoizel product.
Need assistance with parts or assembly? Call Quoizel customer service at 1-800-645-3184
or visit us on-line at www.quoise.com