

Please go to [www.quoizel.com](http://www.quoizel.com) for product cleaning tips. Go to the **Care + Maintenance** selection.

**Tools Required:** Flathead screwdriver, Phillips screwdriver, pliers, wire cutters, wire strippers, electrical tape, safety glasses.

**Light Source:** (2) B10 Candelabra Base Bulbs 60W Maximum

**Estimated Assembly Time:** 30-45 minutes

**Preparation:** Identify and inspect all parts before beginning installation. Check package content list and diagrams below to be sure all parts are present. If any parts are missing or damaged, do not attempt to assemble, install, or operate the fixture. Contact customer service for replacement parts.

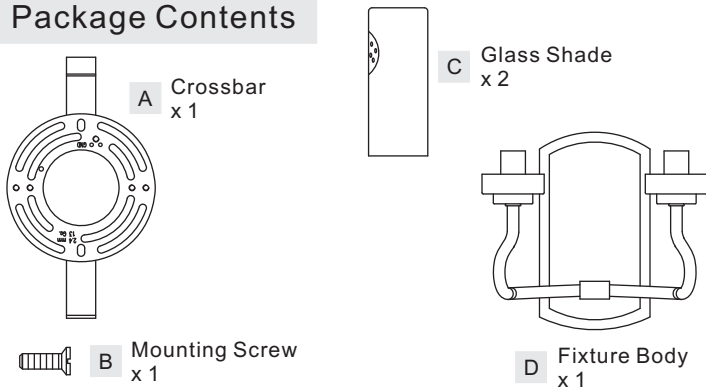
### **⚠ Warnings and Cautions**

Turn off electricity at circuit breaker or main fuse box before installation. Consult a licensed electrician if in doubt.

These instructions are provided for your safety. It is very important you read them completely before installing the fixture. We strongly recommend that a licensed, professional electrician perform the installation.

Disconnect fixture from power source before replacing bulbs. Make sure bulbs are given sufficient time to cool before removal.

### Package Contents



### (Step 2 Continued)

stuff all the connected wires into the Outlet Box.

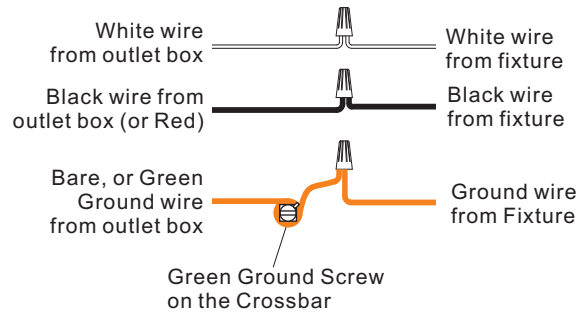


Figure 2

### STEP 1 - Install the Crossbar to the junction box

A. Pass the supply wires and ground wire through the Crossbar (A). Attach the Crossbar (A) to the Outlet Box with the hanger end on the top. Secure it with Outlet Box Screws (not included). Tighten until snug with screwdrivers.

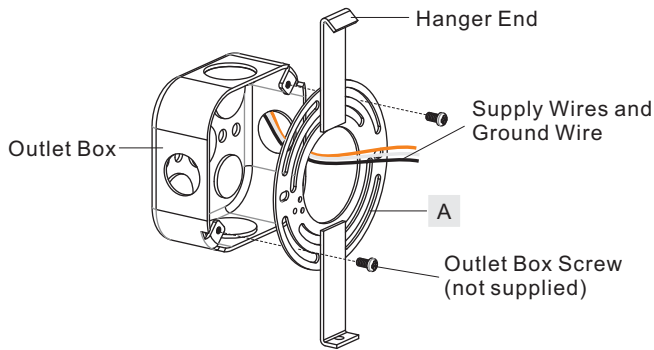


Figure 1

### STEP 3 - Install Fixture Body

A. Place the backplate and Fixture Body (D) onto the Crossbar (A). Attach the hanger end of the Crossbar (A) to the crossbar holder in the backplate and thread the Mounting Screw (B) into the bottom end of the Crossbar (A) to secure the backplate and Fixture Body (D). Hand tighten until snug with screwdrivers.

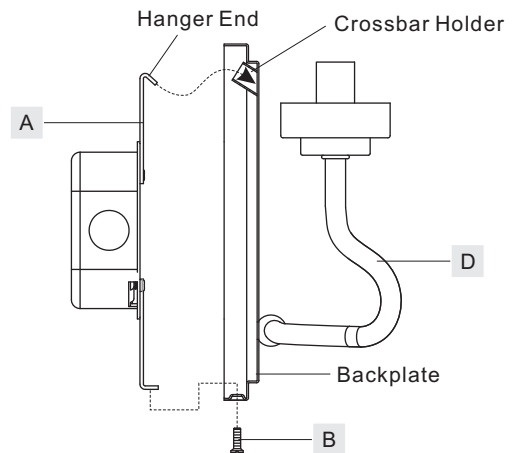


Figure 3

### STEP 2 - Wire Connections

- A. Wrap bare or green ground wire around green ground screw on the crossbar, no less than 2 inches from the end of the wire. Tighten the green ground screw.
- B. Use standard wire connectors (not included) to make all wire connections. Twist connectors until wires are tightly joined together. Wrap each connection with approved electrical tape and carefully

**Thank you for purchasing a Quoizel product.**  
**Need assistance with parts or assembly? Call Quoizel customer service at 1-800-645-3184**  
**or visit us on-line at [www.quoizel.com](http://www.quoizel.com)**

**STEP 4 - Install Bulbs and Glass Shades**

- A. Insert bulbs onto sockets and screw snugly into place.
- B. Place Glass Shades (C) over bulbs onto bobeches.

Your fixture is now assembled and ready to use. Enjoy!

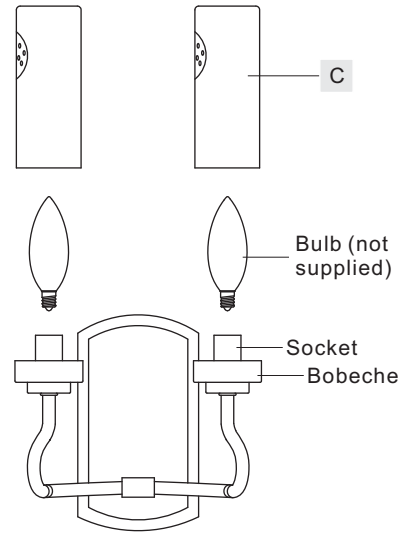
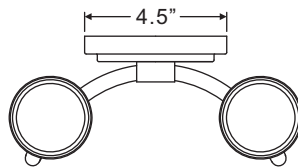
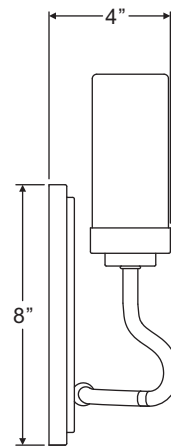
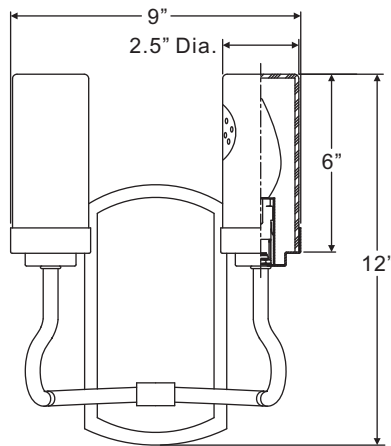
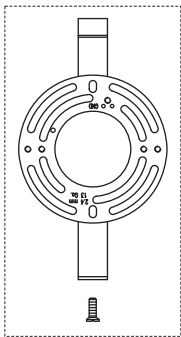


Figure 4

TNR8702EK

FINISH: EARTH BLACK

NOTE: ALL DIMENSIONS ARE ROUNDED UP TO THE NEAREST 1/4"



Thank you for purchasing a Quoizel product.  
Need assistance with parts or assembly? Call Quoizel customer service at 1-800-645-3184  
or visit us on-line at [www.quoise.com](http://www.quoise.com)